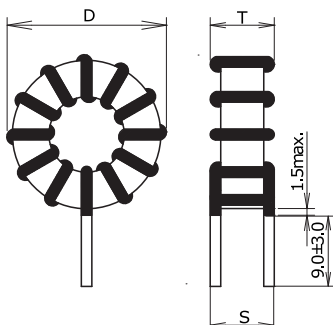


KEMET, HHBC, AC Line Filters, Normal Mode, 54 uH, 20%



Dimensions	
D	41.2mm MAX
T	19.5mm MAX
LL	9mm +/-3mm
S	14mm NOM

Packaging Specifications	
Packaging:	Tray
Packaging Quantity:	80
Weight:	56 g

General Information	
Series:	HHBC
Style:	Through-Hole
Features:	Noise Solution, Switching Power Supply Outlets, DC-DC Converter
RoHS:	Yes
Miscellaneous:	35 (K) Temperature Rise Max.

Specifications	
Inductance:	54 uH
Inductance Tolerance:	20%
Current:	12 A
Temperature Range:	-40/+125C
DC Resistance:	11.5 mOhms