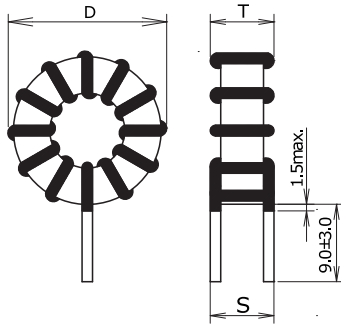


KEMET, PHBC, AC Line Filters, Normal Mode, 80 uH, 20%



Dimensions

D	26.4mm MAX
T	13.3mm MAX
LL	9mm +/-3mm
S	9.5mm NOM

Packaging Specifications

Packaging:	Tray
Packaging Quantity:	240
Weight:	18 g

General Information

Series:	PHBC
Style:	Through-Hole
Features:	Switching Power Supply Outlet, DC-DC Converter, Phase Compensation, Noise Solution
RoHS:	Yes
Miscellaneous:	40 (K) Temperature Rise Max.

Specifications

Inductance:	80 uH (0.1 MHz)
Inductance Tolerance:	20%
Current:	5 A
Temperature Range:	-40/+125C
DC Resistance:	35.6 mOhms