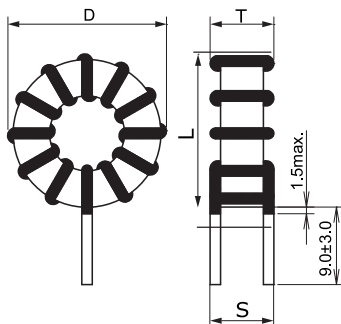


KEMET, SHBC, AC Line Filters, Normal Mode, 120 uH, 20%



Dimensions	
D	34mm MAX
L	34mm MAX
T	34mm MAX
LL	9mm +/-3mm
S	15mm NOM

Packaging Specifications	
Packaging:	Tray
Packaging Quantity:	120
Weight:	41 g

General Information	
Series:	SHBC
Style:	Through-Hole
Features:	Low Core Loss, High Frequency Drive
RoHS:	Yes
Miscellaneous:	50 (K) Temperature Rise Max.

Specifications	
Inductance:	120 uH
Inductance Tolerance:	20%
Current:	8 A
Temperature Range:	-40/+125C
DC Resistance:	29.9 mOhms