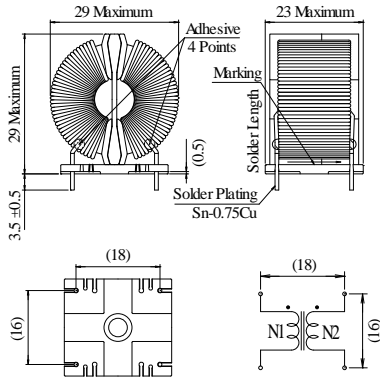


KEMET, SCR, AC Line Filters, Common Mode, 1000 uH



| Dimensions |                |
|------------|----------------|
| L          | 29mm MAX       |
| T          | 23mm MAX       |
| H          | 29mm MAX       |
| LL         | 3.5mm +/-0.5mm |
| S          | 16mm NOM       |

| Packaging Specifications |      |
|--------------------------|------|
| Packaging:               | Tray |
| Packaging Quantity:      | 240  |
| Weight:                  | 25 g |

| General Information |   |
|---------------------|---|
| Series:             | SCR   |
| Style:              | Through-Hole                                |
| Features:           | High Impedance                              |
| RoHS:               | Yes   |
| Notes:              | Lead Spacing (S/S1) Are For Reference Only. |
| Miscellaneous:      | Temperature Rise Maximum: 55 K              |

| Specifications     |             |
|--------------------|-------------|
| Voltage AC:        | 250 VAC/VDC |
| Voltage DC:        | 250 VDC     |
| Inductance:        | 1 mH        |
| Current:           | 9 A         |
| Temperature Range: | -25/+120C   |
| DC Resistance:     | 11.9 mOhms  |