

PLEASE CHECK WWW.MOLEX.COM FOR LATEST PART INFORMATION

Part Number: [0358250211](#)
Status: **Active**
Description: 5.00mm Pitch Automotive Horn Female Housing, Vertical, 2 Circuits for 2.28mm Tab

Documents:

[3D Model](#) [Packaging Specification PK-35825-002-002 \(PDF\)](#)
[Drawing \(PDF\)](#) [RoHS Certificate of Compliance \(PDF\)](#)
[Packaging Specification PK-35825-001-001 \(PDF\)](#)

General

Product Family	Crimp Housings
Series	35825
Application	Power
Product Name	N/A
UPC	800755998764

Physical

Circuits (maximum)	2
Color - Resin	Black, Yellow
Gender	Receptacle
Glow-Wire Capable	No
Keying to Mating Part	None
Lock to Mating Part	Yes
Material - Resin	Polyester
Net Weight	5.240/g
Number of Rows	1
Packaging Type	Bag
Panel Mount	No
Pitch - Mating Interface	5.00mm
Stackable	No
Temperature Range - Operating	-40° to +120°C

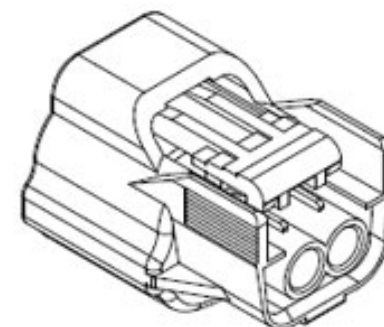
Solder Process Data

Lead-freeProcess Capability	N/A
-----------------------------	-----

Material Info

Reference - Drawing Numbers

Packaging Specification	PK-35825-001-001, PK-35825-002-002
Sales Drawing	SD-35825-0211



Series image - Reference only

EU ELV

Compliant

EU RoHS

Compliant

REACH SVHC

Not Contained Per
-ED/88/2018 (15
January 2019)

Halogen-Free

Status

Low-Halogen

For more information, please visit [Contact US](#)

China ROHS

ELV

RoHS Phthalates

China RoHS

Not Relevant

Compliant

Not Contained

Search Parts in this Series

[35825 Series](#)

Mates With

Automotive Filtered Horn Header [68131](#)

Use With

Terminal [35407](#) , [35903](#)