

Durable Dual Compartment Enclosure with Hinged Cover

multicomp PRO

**RoHS
Compliant**



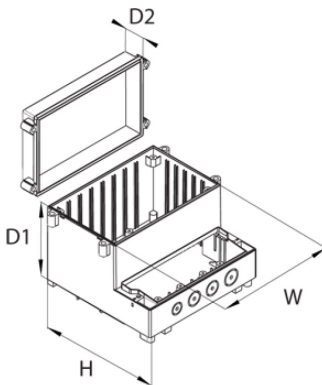
Description

Sealed dual compartment enclosures made of ABS plastic with hinged polycarbonate cover UL94-HB, Provides protection according to the IP65 standard.

Features

- The enclosure is made of ultra-strong plastic, has two chambers and equipped with detachable hinges for quick access to the main chamber.
- Sealing is provided by neoprene gasket, inside racks and rails are set for vertical and horizontal PCB mounting.
- Operating temperature from -20°C to +100°C.
- ABS UL94-HB and polycarbonate Material.
- Light-grey colour and transparent cover.

Diagram



Dimension Table

Part Number	W	D1	D2	H
MC003605	166	68.5	24.5	161
MC003606	166	96.5	24.5	161
MC003607	213	80	24.5	185
MC003608	257	108	24.5	216
MC003609	296	133.5	24.5	281

Dimensions : Millimetres

Part Number Table

Description	Part Number
Sealed Dual Compartment Enclosure with Hinge Cover (UL94-HB rating)	MC003605
	MC003606
	MC003607
	MC003608
	MC003609

Note: Delivery set includes hinges and locks, neoprene gasket and fixing screws.

Important Notice : This data sheet and its contents (the "Information") belong to the members of the AVNET group of companies (the "Group") or are licensed to it. No licence is granted for the use of it other than for information purposes in connection with the products to which it relates. No licence of any intellectual property rights is granted. The Information is subject to change without notice and replaces all data sheets previously supplied. The Information supplied is believed to be accurate but the Group assumes no responsibility for its accuracy or completeness, any error in or omission from it or for any use made of it. Users of this data sheet should check for themselves the Information and the suitability of the products for their purpose and not make any assumptions based on information included or omitted. Liability for loss or damage resulting from any reliance on the Information or use of it (including liability resulting from negligence or where the Group was aware of the possibility of such loss or damage arising) is excluded. This will not operate to limit or restrict the Group's liability for death or personal injury resulting from its negligence. Multicomp Pro is the registered trademark of Premier Farnell Limited 2019.

Newark.com/exclusive-brands
Farnell.com/exclusive-brands
Element14.com/exclusive-brands

multicomp PRO