

PLEASE CHECK WWW.MOLEX.COM FOR LATEST PART INFORMATION

Part Number: [0432028817](#)

Status: **Active**

Overview: [Magnetic and Modular Jacks and Plugs](#)

Description: Modular Jack, Right-Angle, Low Profile, Shielded, Top Panel Grounding Tabs, without Bottom Grounding Tab, Front Position PCB Ground Tab, 8/8

Documents:

[3D Model](#)

[Drawing \(PDF\)](#)

[Product Specification PS-43202-001-001 \(PDF\)](#)

[Packaging Specification PK-43202-004 \(PDF\)](#)

[RoHS Certificate of Compliance \(PDF\)](#)

Agency Certification

CSA LR19980
UL E107635

General

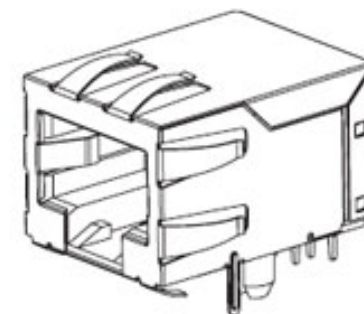
Product Family Modular Jacks/Plugs
Series [43202](#)
Component Type PCB Jack
Magnetic No
Overview [Magnetic and Modular Jacks and Plugs](#)
Performance Category 3
Power over Ethernet (PoE) N/A
Product Name Modular Jack 8/8, RJ45
UPC 800756072715

Physical

Color - Resin Black
Durability (mating cycles max) 500
Flammability 94V-0
Inverted / Top Latch No
Jack Height 11.81mm
Lightpipes/LEDs None
Material - Metal Brass, Phosphor Bronze
Material - Plating Mating Gold
Material - Plating Termination Tin
Material - Resin High Temperature Thermoplastic
Net Weight 4.297/g
Orientation Right Angle (Side Entry)
PCB Retention Yes
PCB Thickness - Recommended 1.57mm
Packaging Type Tray
Panel Mount Without Flange
Pitch - Mating Interface 1.02mm
Pitch - Termination Interface 1.27mm
Plating min - Mating 1.270µm
Plating min - Termination 2.540µm
Port Configuration 1x1
Positions / Loaded Contacts 8/8
Surface Mount Compatible (SMC) Yes
Temperature Range - Operating -40° to +85°C
Termination Interface: Style Through Hole
Wire/Cable Type N/A

Electrical

Current - Maximum per Contact 1.5A
Grounding to PCB Yes



Series image - Reference only

EU ELV

Not Relevant

EU RoHS

Compliant

REACH SVHC

Not Contained Per
-ED/88/2018 (15
January 2019)

Halogen-Free

Status

Not Low-Halogen

For more information, please visit [Contact US](#)

China ROHS

ELV

RoHS Phthalates

Green Image

Not Relevant

Not Contained

Search Parts in this Series

[43202 Series](#)

Mates With

FCC 68 Plugs

Grounding to Panel	Top Panel Ground Tabs
Shielded	Yes
Voltage - Maximum	150V AC (RMS)

Solder Process Data

Duration at Max. Process Temperature (seconds)	005
Lead-free Process Capability	WAVE
Max. Cycles at Max. Process Temperature	001
Process Temperature max. C	260

Material Info**Reference - Drawing Numbers**

Packaging Specification	PK-43202-004
Product Specification	PS-43202-001-001

This document was generated on 03/27/2019

PLEASE CHECK WWW.MOLEX.COM FOR LATEST PART INFORMATION