



**Flight
LT
92x25**

(Family)

**CR0924UB-
A71GL**

(Model)

-032766- No

(Part #)

(In
Stock)

Electrical Specifications

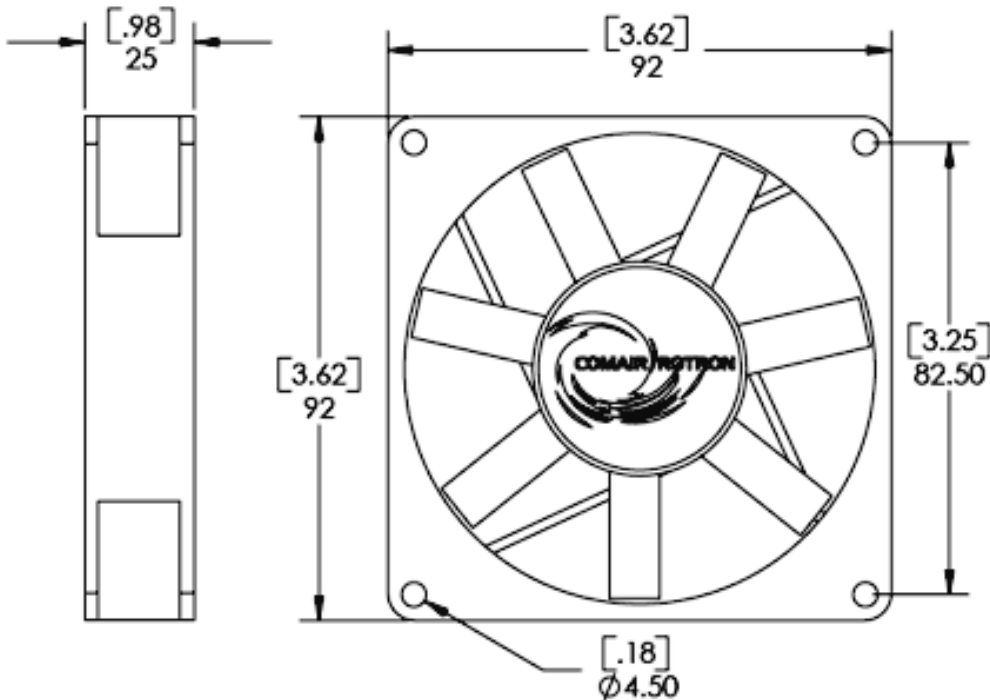
Operating Voltage:	24 Volts
Voltage Range:	21.6 - 26.4 Volts
Power Supply:	5.0 Watts
Line Current:	0.21 Amps
Locked Rotor Current	0.21 Amps
Nominal Speed:	3300 RPM

Mechanical Specifications

Dimensions:	3.6 x 3.6 x 1.0 in
Weight	3.56 oz
Max Airflow @ 0 in H ₂ O	60.0 CFM
Max Pressure @ 0 CFM	0.166 in H ₂ O
Noise	39.4 dBA



Mechanical Drawing



Comair Rotron, Inc.
Phone: 858.348.6200
sales@comairrotron.com

Comair Rotron Europe, Ltd.
Phone: +44.1527.520525
saleseurope@comairrotron.com

Comair Rotron Fan Company Ltd.
Phone: +86.21.52260581
salesasia@comairrotron.com

Print Date: Monday, February 18, 2008 at 06:12:33 - DC Fan Datasheet - Web Version 1.0 Rev. B



Fan Performance Curve

Fan Configuration Options

Flight LT 92x25
(Family)

CR0924UB-A71GL
(Model)

/ 032766
(Part #)

No
(In Stock)

Fan Speed:	3300 RPM	Fan Bearings:	Ball Bearings
Fan Airflow Direction:	Flow R (CCW Rotation)	Fan Termination:	Leads

Fan Monitoring Options: No Fan Monitoring Options Selected

Fan Speed Control Option: No ThermaPro-V Fan Speed Control Options Selected

Environmental Protection Options: No Enviroshield Options Selected

Comair Rotron, Inc.
Phone: 858.348.6200
sales@comairrotron.com

Comair Rotron Europe, Ltd.
Phone: +44.1527.520525
saleseurope@comairrotron.com

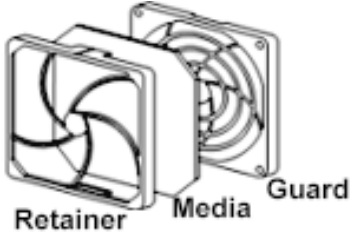
Comair Rotron Fan Company Ltd.
Phone: +86.21.52260581
salesasia@comairrotron.com

Print Date: Monday, February 18, 2008 at 06:12:33 - DC Fan Datasheet - Web Version 1.0 Rev. B

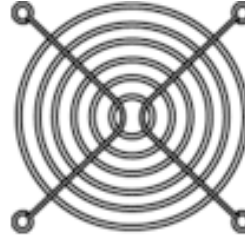


Accessories [\(Click on part number for detailed drawing.\)](#)

557218
Filter Guard Assembly



554172
Finger Guard



Comair Rotron, Inc.
Phone: 858.348.6200
sales@comairrotron.com

Comair Rotron Europe, Ltd.
Phone: +44.1527.520525
saleseurope@comairrotron.com

Comair Rotron Fan Company Ltd.
Phone: +86.21.52260581
salesasia@comairrotron.com

Print Date: Monday, February 18, 2008 at 06:12:33 - DC Fan Datasheet - Web Version 1.0 Rev. B