

Connector / BNC



Specification:

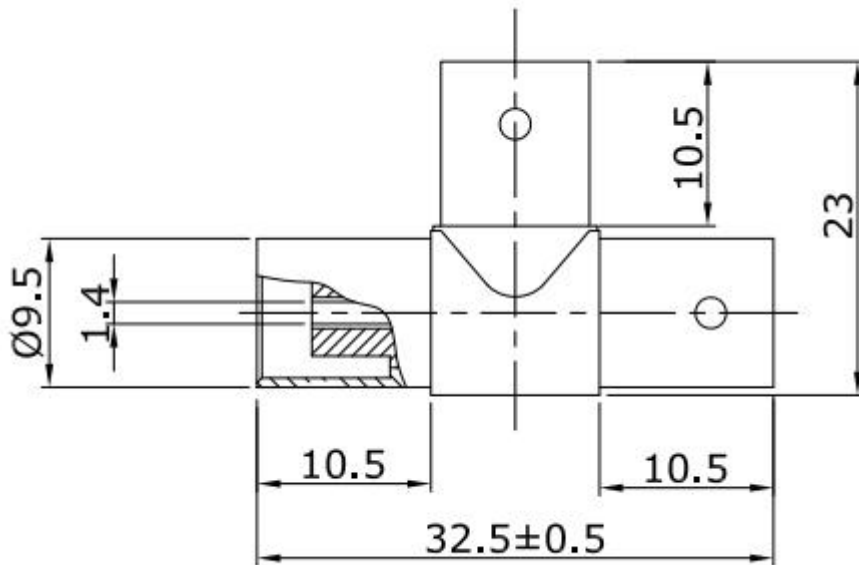
Part Number: PSG08504
Description: 3-Way BNC T Adaptor
Connector Type: BNC
Gender: Sockets X 3
Body Material: Zinc Alloy
Plating: Nickle Plated

Characteristics:

Impedance: 50 Ω

Standards:

RoHS compliant



Dimensions may differ from those shown