

Main

Range of product	Altistart 22
Accessory / separate part type	Fan kit
Accessory / separate part category	Cooling accessories
Accessory / separate part destination	Soft starter
Accessory dimension	130 x 40 x 265 mm

Complementary

Product compatibility	Soft starter ATS22, Uc = 110 V (size: 130 x 169 x 165 mm)
-----------------------	---

Environment

Offer Sustainability

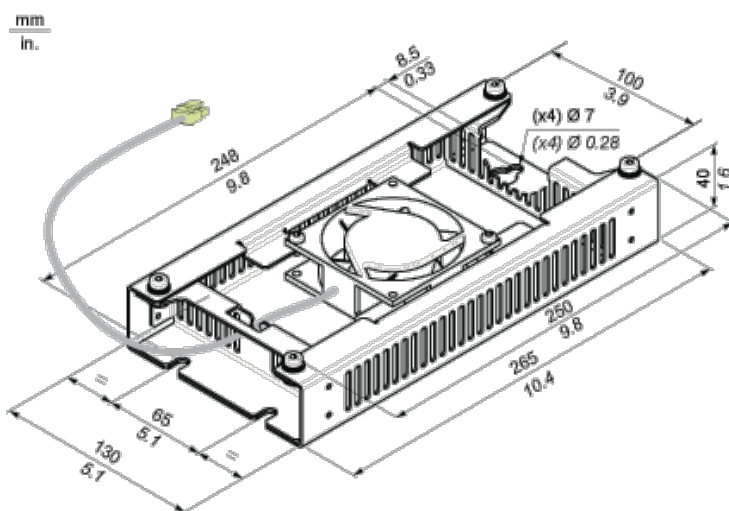
Sustainable offer status	Not Green Premium product
RoHS (date code: YYWW)	Compliant - since 0939 - Schneider Electric declaration of conformity

Contractual warranty

Warranty period	18 months
-----------------	-----------

Fan Kit A

Dimensions



The information provided in this documentation contains general descriptions and/or technical characteristics of the products contained herein. This documentation is not intended as a substitute for and is not to be used for determining suitability or reliability of these products for specific user applications. It is the duty of any such user or integrator to perform the appropriate and complete risk analysis, evaluation and testing of the products with respect to the relevant specific application or use thereof. Neither Schneider Electric Industries SAS nor any of its affiliates or subsidiaries shall be responsible or liable for misuse of the information contained herein.