

Connector

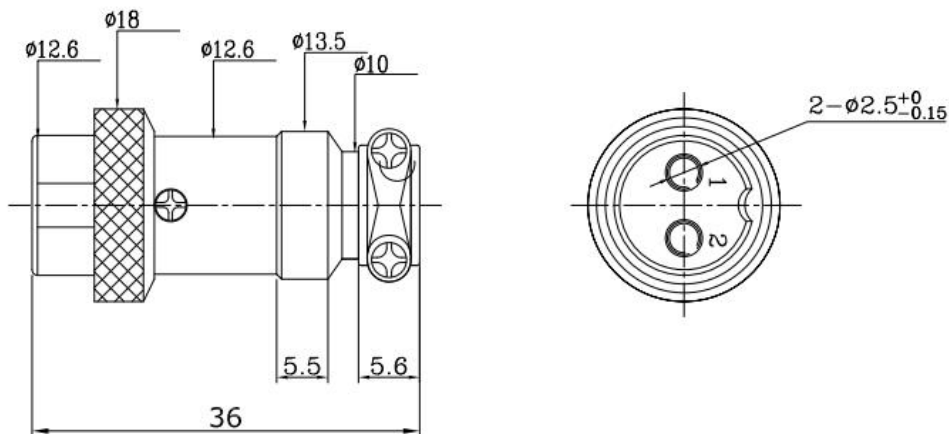


Specification:

Part Number: PSG08550
Description: Multiple Socket - 2 Pole
Circular Connector Shell Style: Box Mount Plug
No. of Contacts: 2 P
Body Material: Zinc Alloy
Plating: Nickle Plated

Standards:

RoHS compliant



Dimensions may differ from those shown