

Connector

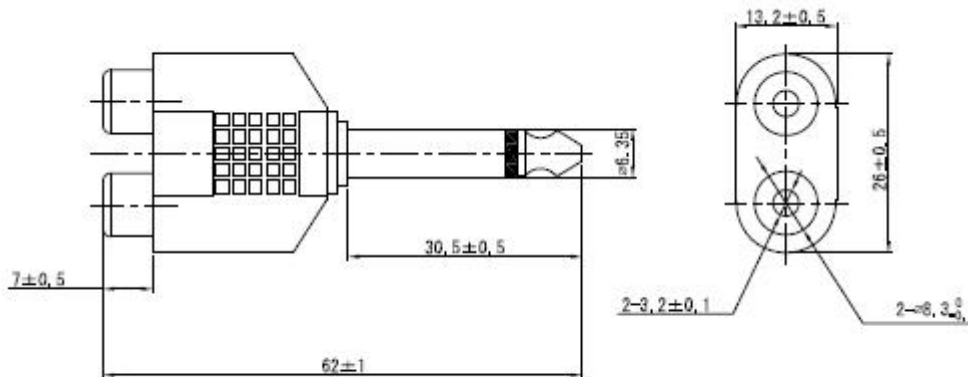


Specification:

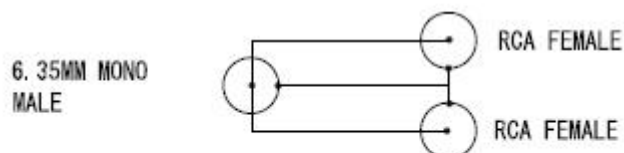
Part Number: PSG08652
Description: 2x RCA Phono Sockets To 6.35mm Mono Jack Plug Adaptor
Connector A: RCA/Phono Socket X 2
Connector B: Mono Jack Plug - 6.35mm X 1
Body Material: ABS Brass
Plating: Nickel Plated

Standards:

RoHS compliant



WIRING DIAGRAM



Dimensions may differ from those shown