



### Main

|                               |                               |
|-------------------------------|-------------------------------|
| Range of product              | OsiSense XC                   |
| Series name                   | Standard format               |
| Product or component type     | Limit switch                  |
| Device short name             | XCMD                          |
| Sensor design                 | Miniature                     |
| Body type                     | Fixed                         |
| Head type                     | Plunger head                  |
| Material                      | Metal                         |
| Body material                 | Zamak                         |
| Head material                 | Zamak                         |
| Fixing mode                   | By the body                   |
| Movement of operating head    | Linear                        |
| Type of operator              | Spring return plunger metal   |
| Type of approach              | Vertical approach 1 direction |
| Number of poles               | 2                             |
| Contacts type and composition | 1 NC + 1 NO                   |
| Contact operation             | Snap action                   |

### Complementary

|                                |                           |
|--------------------------------|---------------------------|
| Switch actuation               | On end                    |
| Electrical connection          | Removable cable connector |
| Cable length                   | 5 m                       |
| Cable composition              | 5 x 0.75 mm <sup>2</sup>  |
| Wire insulation material       | PvR                       |
| Contacts insulation form       | Zb                        |
| Positive opening               | With                      |
| Positive opening minimum force | 42.5 N                    |

|  |   |
|--|---|
| Minimum force for tripping             | 8.5 N   |
| Minimum actuation speed                | 0.01 m/min  |
| Maximum actuation speed                | 0.5 m/s   |
| Contact code designation               | B300, AC-15 (Ue = 240 V, Ie = 1.5 A) conforming to EN/IEC 60947-5-1 appendix A<br>R300, DC-13 (Ue = 250 V, Ie = 0.1 A) conforming to EN/IEC 60947-5-1 appendix A  |
| [Ui] rated insulation voltage          | 300 V degree of pollution 3 conforming to CSA C22.2 No 14<br>300 V degree of pollution 3 conforming to UL 508<br>400 V degree of pollution 3 conforming to IEC 60947-5-1  |
| [Uimp] rated impulse withstand voltage | 4 kV conforming to IEC 60664<br>4 kV conforming to IEC 60947-1  |
| Short-circuit protection               | 6 A by gG cartridge fuse  |
| Electrical durability                  | 5000000 cycles, DC-13, 120 V, 1 W, operating rate: ≤ 60 cyc/mn, load factor: 0.5 conforming to IEC 60947-5-1 appendix C<br>5000000 cycles, DC-13, 24 V, 3 W, operating rate: ≤ 60 cyc/mn, load factor: 0.5 conforming to IEC 60947-5-1 appendix C<br>5000000 cycles, DC-13, 48 V, 2 W, operating rate: ≤ 60 cyc/mn, load factor: 0.5 conforming to IEC 60947-5-1 appendix C |
| Mechanical durability                  | 10000000 cycles   |
| Width                                  | 30 mm   |
| Height                                 | 50 mm   |
| Depth                                  | 16 mm   |

## Environment

|                                       |  |
|---------------------------------------|--|
| Shock resistance                      | 25 gn (duration = 18 ms) conforming to IEC 60068-2-27  |
| Vibration resistance                  | 5 gn (f = 10...500 Hz) conforming to IEC 60068-2-6   |
| IP degree of protection               | IP68 conforming to IEC 60529<br>IP66 conforming to IEC 60529<br>IP67 conforming to IEC 60529 |
| IK degree of protection               | IK06 conforming to EN 62262  |
| Overvoltage category                  | Class I  |
| Ambient air temperature for operation | -25...70 °C  |
| Product certifications                | CSA<br>UL  |
| Standards                             | EN 60947-5-1<br>IEC 60947-5-1<br>UL 508<br>CSA C22.2 No 14                                   |

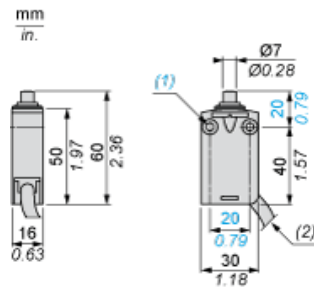
## Offer Sustainability

|                                  |   |
|----------------------------------|---|
| Sustainable offer status         | Green Premium product   |
| RoHS (date code: YYWW)           | Compliant - since 1002 - Schneider Electric declaration of conformity<br><a href="#">Schneider Electric declaration of conformity</a> |
| REACH                            | Reference not containing SVHC above the threshold<br><a href="#">Reference not containing SVHC above the threshold</a>                |
| Product environmental profile    | Available<br><a href="#">Product Environmental Profile</a>  |
| Product end of life instructions | Need no specific recycling operations<br><a href="#">End of Life Information</a>  |

## Contractual warranty

|                 |           |
|-----------------|-----------|
| Warranty period | 18 months |
|-----------------|-----------|

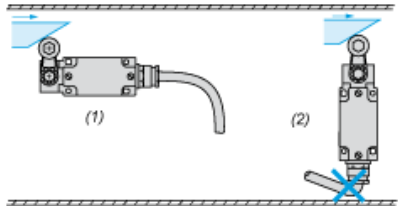
Dimensions



- (1) 2 fixing holes  $\varnothing$  4.2 mm, counterbored  $\varnothing$  8 mm by 4 mm deep.
- (2) External diameter of cable 7.5 mm.

Mounting

Sweep of Connecting Cable



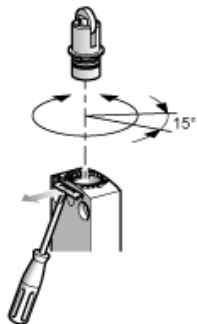
- (1) Recommended
- (2) To be avoided

---

Setting-up

---

Plunger or Multi-directional Heads

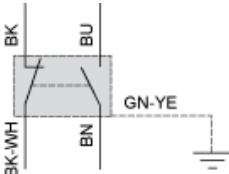


---

Wiring Diagram

---

2-pole NC + NO Snap Action



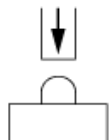
- (BK) Black
- (BK-WH) Black White
- (BU) Blue
- (BN) Brown
- (GN-YE) Green Yellow

---

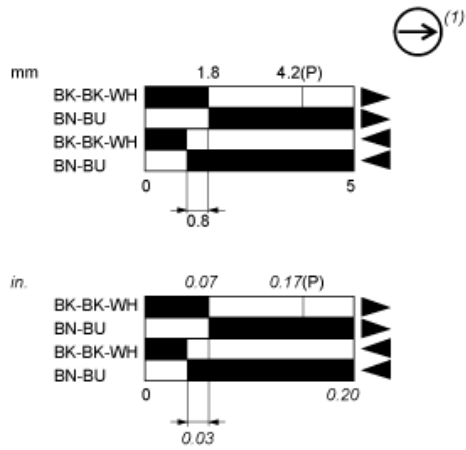
Characteristics of Actuation

---

Switch Actuation on End



Functional Diagram



- (2)
- (3)
- ▶ (4)
- ◀ (5)

- (P) Positive opening point
- (1) NC contact with positive opening operation
- (2) Closed
- (3) Open
- (4) Tripping
- (5) Resetting
- (BK) Black
- (BK-WH) Black White
- (BU) Blue
- (BN) Brown