



Main

Range of product	OsiSense XU
Series name	Application assembly
Electronic sensor type	Photo-electric sensor
Sensor name	XUY
Sensor design	Miniature
Detection system	Polarised reflex
Material	Plastic
Type of output signal	Discrete
Supply circuit type	DC
Wiring technique	3-wire
Discrete output type	PNP
Discrete output function	1 NO or 1 NC programmable
Electrical connection	1 male connector M8, 4 pins
Product specific application	Monitoring of small parts on production machine Setting up of sensors
Emission	Red LED, pulsed (class 2) conforming to IEC 825-1
[Sn] nominal sensing distance	0.1...1 m need reflector XUY1111

Complementary

Enclosure material	ABS
Pulse frequency	5 kHz
Spot diameter	<= 0.7 mm
Output type	Solid state
Status LED	1 LED (yellow) for output state 1 LED (green) for supply on/dirty
[Us] rated supply voltage	12..24 V DC with reverse polarity protection
Supply voltage limits	10...30 V DC
Switching capacity in mA	100 mA (overload and short-circuit protection)
Switching frequency	1000 Hz
Voltage drop	<= 2.4 V (closed state)
Current consumption	< 25 mA (no-load)
Delay response	3 µs

Setting-up	Using teach button or remote teaching
Product weight	0.056 kg

Environment

Product certifications	CE cULus
Ambient air temperature for operation	-20...60 °C
Ambient air temperature for storage	-20...80 °C
Immunity to ambient light	5000 lux
Vibration resistance	7 gn, amplitude = +/- 1.5 mm (f = 10...55 Hz) conforming to IEC 60068-2-6
Shock resistance	30 gn (duration = 11 ms) conforming to IEC 60068-2-27
IP degree of protection	IP67 conforming to IEC 60529

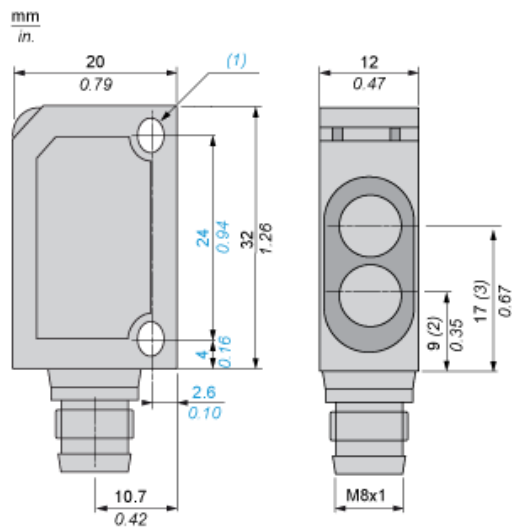
Offer Sustainability

RoHS (date code: YYWW)	Will not be compliant Will not be compliant
------------------------	--

Contractual warranty

Warranty period	18 months
-----------------	-----------

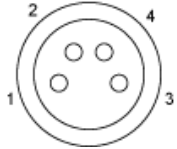
Dimensions



- (1) 2 elongated holes \varnothing 3.2 x 4.2
- (2) Transmitter optical axis
- (3) Receiver optical axis

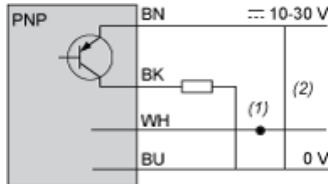
Wiring Schemes

M8 connector



- 1 : Brown
- 2 : White
- 3 : Blue
- 4 : Black

PNP output



- (+) BN : Brown
- WH : White
- (-) BU : Blue
- (Output) BK : Black
- (1) Connected to +: external teaching, connected to -: locking of functions
- (2) Output 100 mA max.