



## Main

Range of product	OsiSense XU
Series name	Application packaging
Electronic sensor type	Photo-electric sensor
Sensor name	XUY
Sensor design	Fiber design
Detection system	Diffuse
Emission	White LED (450 - 650 nm)
[Sn] nominal sensing distance	18 mm with fiber optic XUYFPDC61/101 4 mm with fiber optic XUYFPDCM861/M8101
Material	Plastic
Switching frequency	< 20 kHz
Type of output signal	Discrete
Supply circuit type	DC
Wiring technique	4-wire
Discrete output type	PNP and NPN
Discrete output function	1 NO or 1 NC programmable
Electrical connection	1 male connector M8, 4 pins

## Complementary

Enclosure material	Polyamide
Lens material	Polyamide
Pulse frequency	40 kHz
Spot diameter	1.5 mm
Depth of field	- 3...1 mm with fiber optic XUYFPDC61/101 - 5...7 mm with fiber optic XUYFPDC61/101 +/- 1 mm with fiber optic XUYFPDCM861/M8101
Output type	Solid state
Status LED	1 LED for output state indication
[Us] rated supply voltage	24 V DC with reverse polarity protection
Supply voltage limits	10...30 V DC
Voltage state 0 guaranteed	< 1.4 V
Voltage state 1 guaranteed	> 3 V

Disclaimer: This documentation is not intended as a substitute for and is not to be used for determining suitability or reliability of these products for specific user applications

Switching capacity in mA	100 mA (overload and short-circuit protection)
Voltage drop	< 2 V (closed state)
Current consumption	50 mA
Delay response	25 µs
Delay recovery	25 µs
Setting-up	With sensitivity adjustment
Product weight	0.047 kg

## Environment

Product certifications	CE cULus
Ambient air temperature for operation	0...40 °C
Ambient air temperature for storage	-20...80 °C
Immunity to ambient light	10000 lux with natural light 20000 lux with incandescent bulb
IP degree of protection	IP65 conforming to IEC 60529

## Offer Sustainability

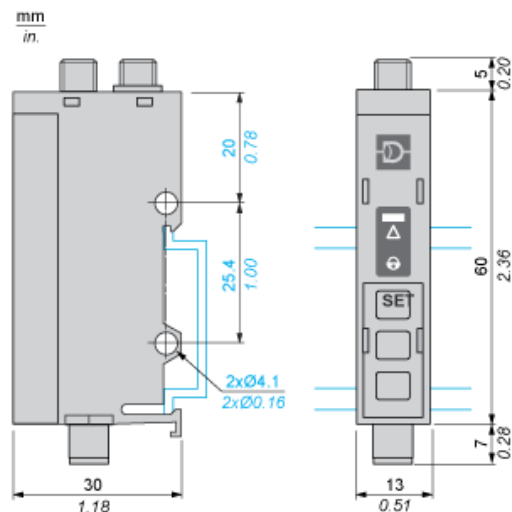
RoHS (date code: YYWW)	Compliant - since 0707 - Schneider Electric declaration of conformity <a href="#">Schneider Electric declaration of conformity</a>
------------------------	---

## Contractual warranty

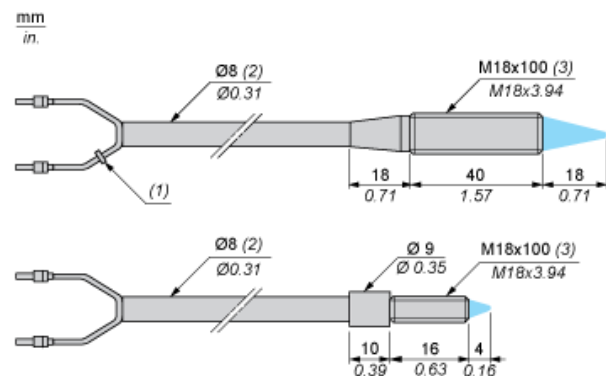
Warranty period	18 months
-----------------	-----------

Dimensions

Sensors Dimensions



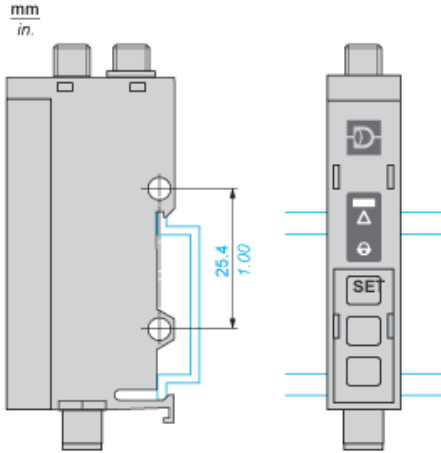
Fibres Dimensions (To be Ordered Separately)



- (1) The ring indicates that the fibre is transmitting
- (2) Bend radius: 15 mm
- (3) 2 nuts included with fibre optic

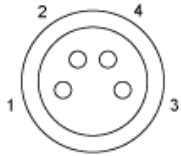
Mounting and Clearance

Mounting on 35 mm rail

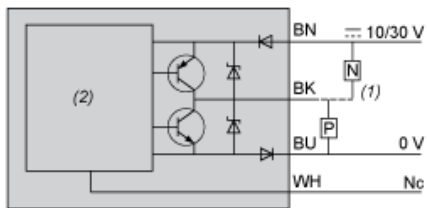


Wiring Schemes

Scheme



- 1 : Brown
- 2 : White
- 3 : Blue
- 4 : Black



- BN : Brown
- WH : White
- BU : Blue
- BK : Black
- (1) : High level on first shade "taught"
- NC : Not connected