



Main

| | |
|------------------------------------|----------------------------------------------------------------------------------------------------------------------|
| Range of product | OsiSense XS |
| Series name | General purpose |
| Sensor type | Inductive proximity sensor |
| Wiring configuration | 2-wire |
| Output circuit type | AC/DC |
| Protection type | Short-circuit protection |
| Device application | 2-wire DC short-circuit protection |
| Sensor name | XS1 |
| Sensor design | Cylindrical M30 |
| Size | 60 mm |
| Body type | Fixed |
| Detector flush mounting acceptance | Flush mountable |
| Material | Metal |
| Type of output signal | Discrete |
| Wiring technique | 2-wire |
| [Sn] nominal sensing distance | 10 mm |
| Discrete output function | 1 NO |
| Electrical connection | Cable |
| Cable length | 5 m |
| [Us] rated supply voltage | 24...240 V AC 50/60 Hz 24...210 V DC |
| Switching capacity in mA | 5...200 mA DC with overload and short-circuit protection 5...300 mA AC with overload and short-circuit protection |
| IP degree of protection | IP68 double insulation conforming to IEC 60529 |

Complementary

| | |
|---------------------|---------------------|
| Thread type | M30 x 1.5 |
| Detection face | Frontal |
| Front material | PPS |
| Enclosure material | Nickel plated brass |
| Operating zone | 0...8 mm |
| Differential travel | 1...15% of Sr |

| | |
|--------------------------|------------------------------------------------------------|
| Cable composition | 2 x 0.34 mm ² |
| Wire insulation material | PvR |
| Status LED | 1 LED green for supply on 1 LED yellow for output state |
| Supply voltage limits | 20...264 V AC/DC |
| Residual current | <= 1.5 mA for open state |
| Switching frequency | <= 2000 Hz DC <= 25 Hz AC |
| Voltage drop | <= 5.5 V at closed state state |
| Delay first up | <= 70 ms |
| Delay response | <= 2 ms |
| Delay recovery | <= 5 ms |
| Marking | CE |
| Threaded length | 51 mm |
| Height | 30 mm |
| Length | 60 mm |
| Product weight | 0.205 kg 0.325 kg |

Environment

| | |
|---------------------------------------|-------------------------------------------------------------------------|
| Product certifications | CCC CSA UL |
| Ambient air temperature for operation | -25...70 °C |
| Ambient air temperature for storage | -40...85 °C |
| Vibration resistance | 25 gn amplitude = +/- 2 mm (f = 10...55 Hz) conforming to IEC 60068-2-6 |
| Shock resistance | 50 gn for 11 ms conforming to IEC 60068-2-7 |

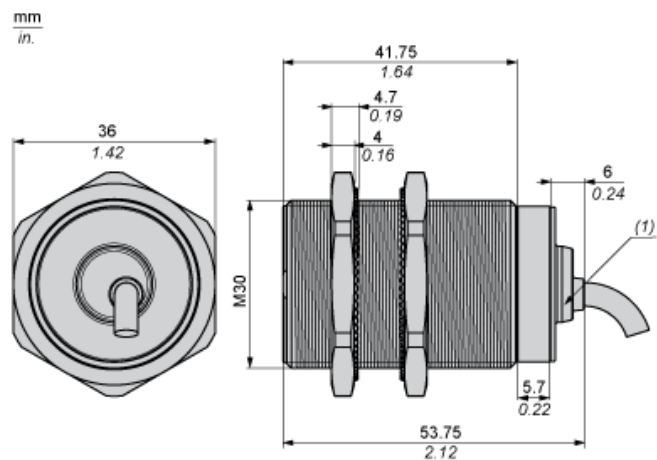
Offer Sustainability

| | |
|----------------------------------|---------------------------------------------------------------------------------------------------------------------------------------|
| RoHS (date code: YYWW) | Compliant - since 0936 - Schneider Electric declaration of conformity Schneider Electric declaration of conformity |
| Product environmental profile | Available End of Life Information |
| Product end of life instructions | Available |

Contractual warranty

| | |
|-----------------|-----------|
| Warranty period | 18 months |
|-----------------|-----------|

Dimensions



(1) LED

Minimum Mounting Distances

Side by side



$e (1) \geq 20 \text{ mm}/0.79 \text{ in}$

Face to face



$e (2) \geq 120 \text{ mm}/4.72 \text{ in}$

Facing a metal object

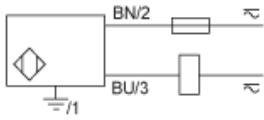


$e (3) \geq 30 \text{ mm}/1.18 \text{ in.}$

Wiring Schemes

2-Wire AC or DC

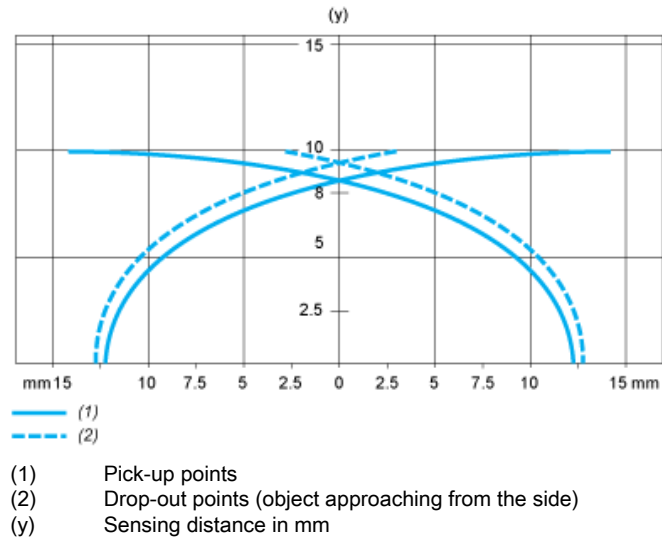
NO output



BU : Blue
BN : Brown

Performance Curves

Standard Steel Target : 30x30x1 mm



XS1M30MA250L1 is replaced by:



Inductive sensors XS XS630B1MAL5

inductive sensor XS6 M30 - L62mm - brass - Sn15mm - 24..240VAC/DC - cable 5m

Qty 1

Reason for Substitution: Rebranding | Substitution date: 30 September 2005