

Main

| | |
|------------------------------------|--|
| Range of product | OsiSense XS |
| Series name | General purpose |
| Sensor type | Inductive proximity sensor |
| Device application | - |
| Sensor name | XS8 |
| Sensor design | Flat form 80 x 80 x 26 |
| Size | 40 mm |
| Body type | Fixed clippable onto DIN rail |
| Detector flush mounting acceptance | Non flush mountable |
| Material | Plastic |
| Enclosure material | PBT |
| Type of output signal | Discrete |
| Wiring technique | 2-wire |
| [Sn] nominal sensing distance | 40 mm flush mountable 60 mm non flush mountable |
| Discrete output function | 1 NO |
| Output circuit type | AC/DC |
| Electrical connection | 3 pins 1/2"20 UNF male connector |
| [Us] rated supply voltage | 24...240 V AC/DC 50/60 Hz |
| Switching capacity in mA | 5...200 mA DC 5...300 mA AC |
| IP degree of protection | IP67 double insulation conforming to IEC 60529 |

Complementary

| | |
|----------------------|--|
| Detection face | Frontal |
| Front material | PBT |
| Fine adjustment zone | 20...40 mm flush mountable 20...60 mm non flush mountable |

Disclaimer: This documentation is not intended as a substitute for and is not to be used for determining suitability or reliability of these products for specific user applications

| | |
|-----------------------|--------------------------|
| Differential travel | 1...15% of Sr |
| Supply voltage limits | 20...264 V AC/DC |
| Residual current | <= 1.5 mA for open state |
| Switching frequency | <= 150 Hz |
| Voltage drop | <= 5.5 V at closed state |
| Current consumption | <= 10 mA at no-load |
| Delay first up | <= 15 ms |
| Delay response | <= 0.3 ms |
| Delay recovery | <= 6 ms |
| Marking | CE |
| Depth | 40 mm |
| Height | 80 mm |
| Width | 80 mm |

Environment

| | |
|---------------------------------------|---|
| Product certifications | CCC CSA UL |
| Ambient air temperature for operation | -25...70 °C |
| Ambient air temperature for storage | -40...85 °C |
| Vibration resistance | 25 gn amplitude = +/- 2 mm (f = 10...55 Hz) conforming to IEC 60068-2-6 |
| Shock resistance | 50 gn for 11 ms conforming to IEC 60068-2-27 |

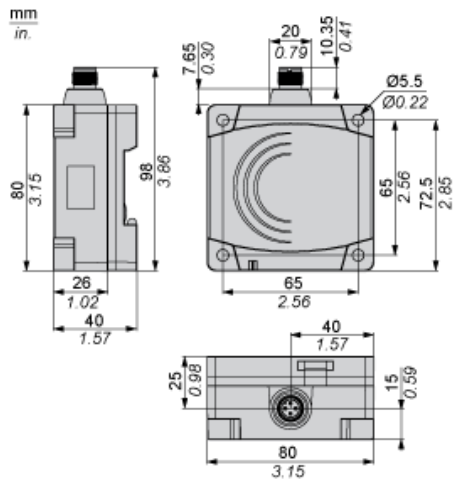
Offer Sustainability

| | |
|----------------------------------|---|
| Sustainable offer status | Green Premium product |
| RoHS (date code: YYWW) | Compliant - since 0825 - Schneider Electric declaration of conformity Schneider Electric declaration of conformity |
| REACH | Reference not containing SVHC above the threshold Reference not containing SVHC above the threshold |
| Product environmental profile | Available Product Environmental Profile |
| Product end of life instructions | Need no specific recycling operations End of Life Information |

Contractual warranty

| | |
|-----------------|-----------|
| Warranty period | 18 months |
|-----------------|-----------|

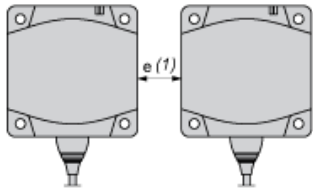
Dimensions



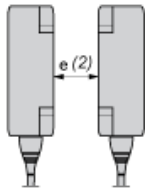
Setting-up

Minimum Mounting Distances (mm)

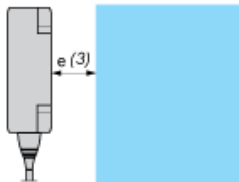
Side by Side



Face to Face



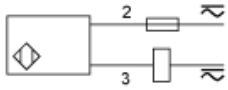
Facing a Metal Object



| | e (1) | e (2) | e (3) |
|-------------------|-------|-----------------|-------|
| Flush mounted | 200 | 400 | 40 |
| Not flush mounted | 600 | not recommended | |

Wiring Schemes

2-Wire NO Output



1/2"-20UNF

