



## Main

|                           |  |
|---------------------------|--|
| Range of product          | OsiSense XM  |
| Product or component type | Electronic pressure sensors  |
| Pressure sensor type      | Pressure transmitter   |
| Pressure sensor name      | XMLP   |
| Electrical circuit type   | Control circuit  |
| Pressure sensor size      | 40 bar   |
| Local display             | Without  |
| Controlled fluid          | Fresh water 0...135 °C<br>Air -40...135 °C<br>Hydraulic oil -40...135 °C<br>Gas -40...135 °C<br>Refrigeration fluid -40...135 °C |
| Fluid connection type     | SAE 7/16-20UNF-2A (male)   |
| Electrical connection     | 1 male connector M12 4 pins  |
| [Us] rated supply voltage | 12...24 V DC SELV, voltage limits: 7...33 V  |
| Current consumption       | < 23 mA  |
| Type of output signal     | Analogue   |
| Analogue output function  | 4...20 mA, 2-wire  |
| Quantity per set          | Set of 1   |
| Type of packing           | Individual   |

## Complementary

|   |                           |
|---|---------------------------|
| Pressure setting range                  | 0...40 bar                |
| Maximum permissible accidental pressure | 120 bar                   |
| Destruction pressure                    | 240 bar                   |
| Materials in contact with fluid         | Stainless steel AISI 316L |
| Operating position                      | Any position              |
| Protection type                         | Reverse polarity          |

Load short-circuit

|  |   |
|--|---|
| Electromagnetic compatibility          | 1.2/50 $\mu$ s shock waves immunity test conforming to EN/IEC 61000-4-5 - test level 1 kV (f = 42 Ohm)<br>Immunity to magnetic fields conforming to EN/IEC 61000-4-8 - test level 100 A/m (f = 50 Hz)<br>Electrical fast transient/burst immunity test conforming to EN/IEC 61000-4-4 - test level 4 kV<br>Susceptibility to electromagnetic fields conforming to EN/IEC 61000-4-3 - test level 10 V/m (f = 80...3000 MHz)<br>Radiated RF fields conforming to EN/IEC 61000-4-6 - test level 10 V (f = 0.01...80 MHz)<br>Electrostatic discharge immunity test conforming to EN/IEC 61000-4-2 - test level 8 kV air, 4 kV contact |
| [Uimp] rated impulse withstand voltage | 0.5 kV  |
| Response time on output                | $\leq$ 2 ms for 10...90 % of full scale   |
| Measurement accuracy                   | +/- 0.5 % of the measuring range  |
| Resolution                             | 0.1 % of the measuring range  |
| Drift of the sensitivity               | +/- 0.02 % of measuring range/°K  |
| Drift of the zero point                | +/- 0.02 % of measuring range/°K  |
| Mechanical durability                  | $\geq$ 10000000 cycles  |
| Product weight                         | 0.087 kg  |
| Diameter                               | 26 mm   |
| Length                                 | 36 mm   |

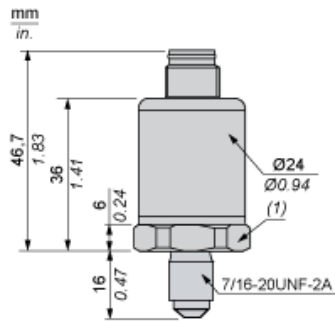
## Environment

|                                       |  |
|---------------------------------------|--|
| Standards                             | NSF ANSI 61<br>EN/IEC 61326-2-3  |
| Product certifications                | CE<br>RCM<br>cULus<br>EAC  |
| Protective treatment                  | TC   |
| Ambient air temperature for operation | -30...85 °C  |
| Ambient air temperature for storage   | -50...100 °C   |
| Vibration resistance                  | 20 gn (f = 15...2000 Hz) conforming to EN/IEC 60068-2-6  |
| Shock resistance                      | 100 gn for 11 ms conforming to EN/IEC 60068-2-27   |
| IP degree of protection               | IP69K conforming to EN/IEC 60529<br>IP65 conforming to EN/IEC 60529<br>IP67 conforming to EN/IEC 60529 |

## Offer Sustainability

|                                  |  |
|----------------------------------|--|
| Sustainable offer status         | Green Premium product  |
| RoHS (date code: YYWW)           | Compliant<br><a href="#">Schneider Electric declaration of conformity</a>  |
| REACH                            | Reference not containing SVHC above the threshold<br><a href="#">Reference not containing SVHC above the threshold</a> |
| Product environmental profile    | Available  |
| Product end of life instructions | Need no specific recycling operations  |

Dimensions



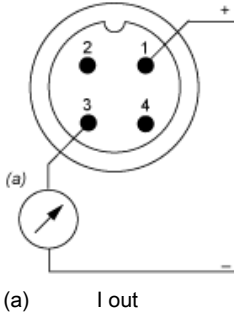
(1) SW24 tightening torque  $\leq 10$  N.m / 88.5 lb-in

---

Wiring Diagram

---

2-Wire Technique (4-20 mA)



---

Curves

---

