



Main

Range of product	Modicon TM3
Product or component type	Remote transmitter module
Range compatibility	Modicon M221 Modicon M241 Modicon M251

Complementary

Current consumption	100 mA at 5 V DC via bus connector at state on 30 mA at 5 V DC via bus connector at state off
Power dissipation in W	<= 0.6 W
Cable distance between devices	0.5...5 mm extension cable with 2 RJ45 conductor between receiver and transmitter
Local signalling	1 LED green for link status 1 LED green for power supply
Electrical connection	RJ45 connector for connecting the bus receiver Screw connector terminal for connecting the functional ground
Marking	CE
Resistance to electrostatic discharge	8 kV in air - EN/IEC 61000-4-2 6 kV on contact - EN/IEC 61000-4-2
Resistance to electromagnetic fields	10 V/m (80 MHz...1 GHz) - EN/IEC 61000-4-3 3 V/m (1.4 GHz...2 GHz) - EN/IEC 61000-4-3 1 V/m (2...2.7 GHz) - EN/IEC 61000-4-3
Resistance to conducted disturbances	10 Vrms (0.15...80 MHz) - EN/IEC 61000-4-6 3 Vrms (spot frequency (2, 3, 4, 6.2, 8.2, 12.6, 16.5, 18.8, 22, 25 MHz)) - Marine specification (LR, ABS, DNV, GL)
Electromagnetic emission	Radiated emissions - EN/IEC 55011 class A 10 m, 30...230 MHz : 40 dBµV/m QP Radiated emissions - EN/IEC 55011 class A 10 m, 230...1000 MHz : 47 dBµV/m QP
Mounting support	Top hat type TH35-15 rail conforming to IEC 60715 Top hat type TH35-7.5 rail conforming to IEC 60715 Plate or panel with fixing kit
Height	90 mm
Depth	73.3 mm
Width	23.65 mm

Disclaimer: This documentation is not intended as a substitute for and is not to be used for determining suitability or reliability of these products for specific user applications

Product weight	0.065 kg
----------------	----------

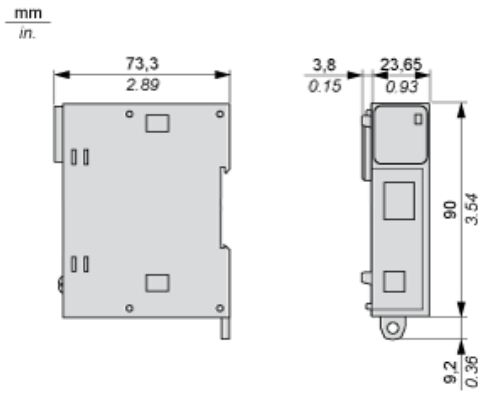
Environment

Standards	CSA C22.2 No 142 CSA C22.2 No 213 (Class I Division 2 Groups A/B/C/D) IEC 61131-2 UL 1604 (Class I Division 2 Groups A/B/C) UL 508
Product certifications	GOST CSA HazLoc Merchant Navy C-Tick
Ambient air temperature for operation	-10...55 °C for horizontal installation -10...50 °C for vertical installation
Ambient air temperature for storage	-40...70 °C
Relative humidity	5...95 % without condensation
IP degree of protection	IP20 with protective cover in place
Pollution degree	2
Operating altitude	0...2000 m
Storage altitude	0...3000 m
Vibration resistance	3.5 mm (vibration frequency: 5...8.4 Hz) on DIN rail 3 gn (vibration frequency: 8.4...150 Hz) on DIN rail 3.5 mm (vibration frequency: 5...8.4 Hz) on panel 3 gn (vibration frequency: 8.4...150 Hz) on panel
Shock resistance	15 gn (test wave duration: 11 ms)

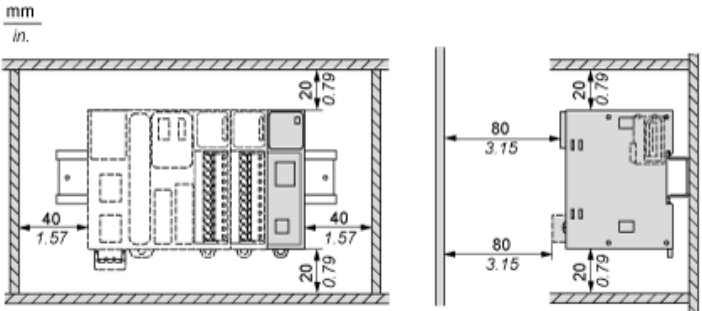
Offer Sustainability

Sustainable offer status	Green Premium product
RoHS (date code: YYWW)	Compliant - since 1408 - Schneider Electric declaration of conformity Schneider Electric declaration of conformity
REACH	Reference not containing SVHC above the threshold Reference not containing SVHC above the threshold
Product environmental profile	Available Product Environmental Profile
Product end of life instructions	Available End of Life Information

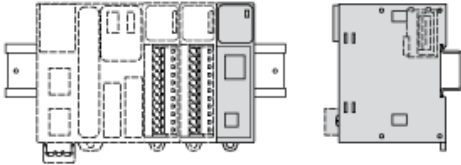
Dimensions



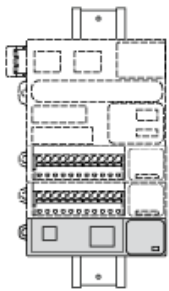
Spacing Requirements



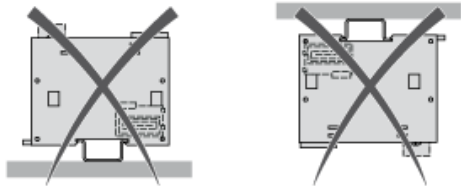
Mounting on a Rail



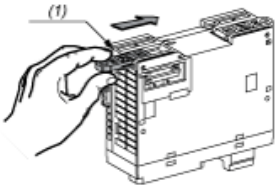
Vertical Mounting



Incorrect Mounting



Mounting on a Panel Surface



(1) Install a mounting strip

Mounting Hole Layout

