

Data sheet

25G RJ45 field plug pro 360

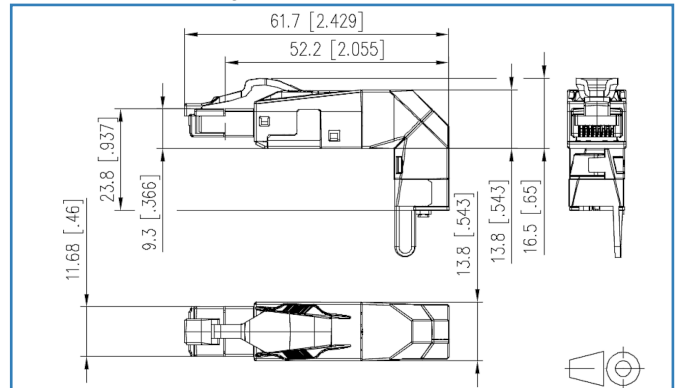
Page 1/5

P/N
130G405042-E
EAN 4251394618562
2019/05/15

Illustrations



Dimensional drawing



See enlarged drawings at the end of document

Product specification

- RJ45 plug to be assembled in the field for 25 Gbit up to 1250 MHz
- fully shielded and multi-port capable
- variable (360°) cable feed, freely selectable
- easy assembly - connection without special tools
- wire connection: stranded wire AWG 27/7 to 22/7, wire diameter from 0.43 to 0.76 mm
- wire connection: solid wire AWG 26/1 to 22/1, wire diameter from 0.4 to 0.64 mm
- transmission characteristics per ISO/IEC 11801 Ed.3:2017 (up to 1250 MHz)
- suitable for 25GBASE-T 25 GBit Ethernet (IEEE 802.3bq), Remote Powering (PoE, PoE plus, UPoE and 4PPoE) and HDBaseT
- degree of protection IP20
- for cable jacket diameter from 5.5 to 10.5 mm
- zinc die-cast housing for industrial use consists of only 2 parts
- strain relief by latching clip directly on the stuffer cap
- protected locking hook
- reconnectable



Data sheet 25G RJ45 field plug pro 360

Page 2/5

P/N
130G405042-E
EAN 4251394618562
2019/05/15

Technical Data

General Data

Fields of application	Structured building cabling
Design	plug
Shielding	shielded
Transmission technology	Copper
Color	red
Dimensions	
Dimension	49.8 mm x 13.8 mm x 16.5 mm
Dimension	1.961 in. x 0.543 in. x 0.65 in.
Field assembly ability	yes
Multi-port capability	yes
Labeling option	on housing

Transmission characteristics

Remote Powering	yes
PoE	IEEE 802.3af
PoE plus	IEEE 802.3at
UPoE	yes
4PPoE	IEEE 802.3bt
HDBaseT	yes
Transmission rate up to 10 GBit	IEEE 802.3an

Connections/interfaces

Connector technology interface 1	IDC-connection
Connector technology interface 2	RJ45 plug
Number of ports interface 2	1
Number of ports interface 2 equipped	1
Number of positions/contacts interface 1	8
Number of positions/contacts interface 2	8P/8C



Data sheet 25G RJ45 field plug pro 360

Page 3/5

P/N
130G405042-E
EAN 4251394618562
2019/05/15

Technical Data

Connections/interfaces

Termination data, solid wire (min. - max.)

Conductor cross section, solid wire	0.128 mm ² - 0.324 mm ²
Conductor diameter, solid wire (bare copper)	0.409 mm - 0.643 mm
Conductor diameter, solid wire (bare copper)	0.016 in. - 0.025 in.

Termination data, stranded wire (min. - max.)

Conductor cross section, stranded wire	0.111 mm ² - 0.355 mm ²
Conductor diameter, stranded wire (bare copper)	0.457 mm - 0.762 mm
Conductor diameter, stranded wire (bare copper)	0.018 in. - 0.03 in.

Core diameter (min. - max.)

Core diameter (conductor with insulation)	1.6 mm
Core diameter (conductor with insulation)	0.063 in.

Cable sheath diameter (min. - max.)

Cable sheath diameter	5.5 mm
Cable sheath diameter	0.217 in.

Cable access/outlet	variable, selectable (360°)
Reconnectibility	yes
Shield connection	flexible contact spring

Electrical characteristics

Rated voltage	max. 50 V
Contact resistance	max. 20 mOhm
Insulation resistance	min. 500 MOhm
Dielectric strength conductor-conductor (secondary)	1000 V DC
Dielectric strength conductor-shield	1500 V DC

Mechanical characteristics

Mounting method	snap-in function
Insertion and withdrawal force	max. 20 N
Position/mounting of latch - standard installation position	top
strain relief	latching clip



Data sheet 25G RJ45 field plug pro 360

Page 4/5

P/N
130G405042-E
EAN 4251394618562
2019/05/15

Technical Data

Materials and material properties

Material - Housing	GD-Zn (zinc die-cast)
Material - Contact	CuSn (tin bronze)
Material - Contact finish	Ni + Au (nickel-gold)
Material - Latch	Plastics
Material - Finish	Ni (nickel)

Environmental conditions

Temperature (min. - max.)	
Temperature - Storage $\hat{A}^{\circ}\text{C}$	-40 $^{\circ}\text{C}$ - 85 $^{\circ}\text{C}$
Temperature - Storage $\hat{A}^{\circ}\text{F}$	-40 $^{\circ}\text{F}$ - 185 $^{\circ}\text{F}$
Temperature - Operating $\hat{A}^{\circ}\text{C}$	-40 $^{\circ}\text{C}$ - 85 $^{\circ}\text{C}$
Temperature - Operating $\hat{A}^{\circ}\text{F}$	-40 $^{\circ}\text{F}$ - 185 $^{\circ}\text{F}$
Particulate ingress	IP2X
Electromagnetic measurement	E2

Approvals

CE	compliant
----	-----------

The product meets the following standards

Generic cabling systems	
General requirements	TIA/EIA 568-C
Office buildings	TIA/EIA 568-C
Connectors for electronic equipment - Tests and measurements	
Test schedule for connectors	DIN-EN 60512-99-001, DIN-EN 60512-99-002

Classifications

ETIM 5.0	EC001121
ETIM 6.0	EC001121

Packing details

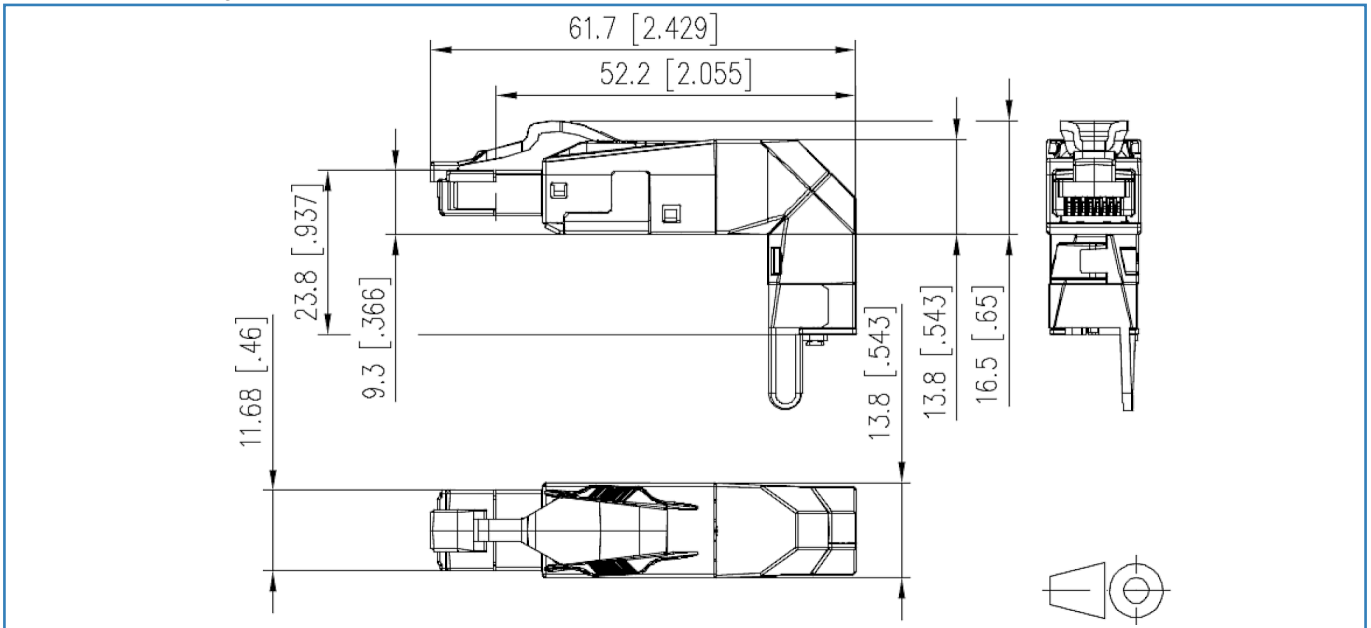
Type of packaging	pc(s) / box
Packaging unit - Weight (gram)	413 g
Packaging unit - Weight (pound)	0.91 lb
Packaging dimension	258 mm x 164 mm x 51 mm
Packaging dimension	10.157 in. x 6.457 in. x 2.008 in.

Data sheet
25G RJ45 field plug pro 360

P/N
130G405042-E
EAN 4251394618562
2019/05/15

Illustrations

Dimensional drawing



© 2019 METZ CONNECT - Technische Änderungen vorbehalten! Subject to modifications! Sous réserve de modifications techniques!