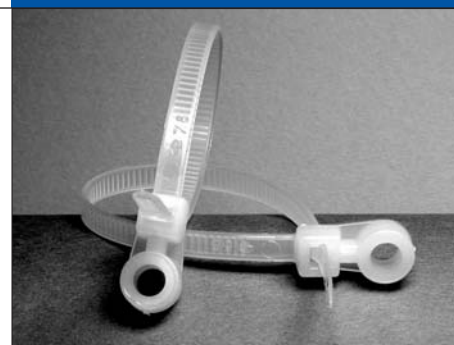
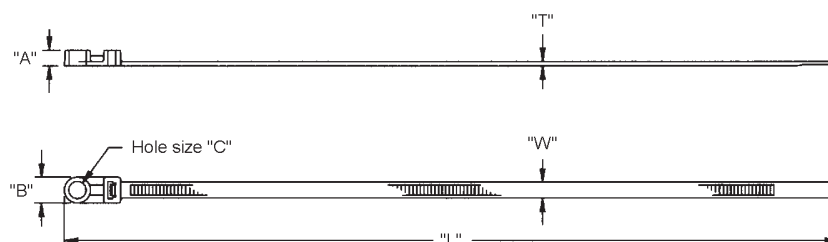


# CABLE TIES AND ACCESSORIES



**WITS**  
CABLE TIE

Part No.	min. Loop Tensile kg	"L" mm	Bundle ø mm	"W" mm	"T" mm	"A" mm	"B" mm	"C" mm	Std. Pk.					
WITS-4-18MR	8	127.0	19.1	2.5	1.0	3.0	5.8	3.5	1.000					
WITS-8-50MS	22	171.5	38.1	4.8	1.3	4.8	9.4	4.5						
WITS-8-50MRL		220.7	50.8											
WITS-8-50MR		295.3	76.2											
WITS-8-50ML		406.4	101.6											
WITS-8-50MS		171.5	38.1											
WITS-10-50MRL		220.7	50.8							5.3				
WITS-10-50MR		295.3	76.2											
WITS-10-50ML		406.4	101.6											
WITS-14-120MR		53	396.3					101.6			7.6	1.8	7.4	12.7
WITS-14-120ML			555.6					152.4						

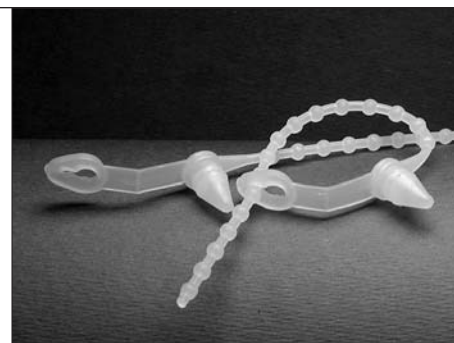


Material: Nylon 6/6 - natural, UL 94 V-2, RMS-01  
or  
Nylon 6/6 - black, UV stabilized,  
UL 94 V-2, RMS-46  
Std. Pk.: see table

Note: 

WITS	4	18R	01
Part	Type	Size	Material Code

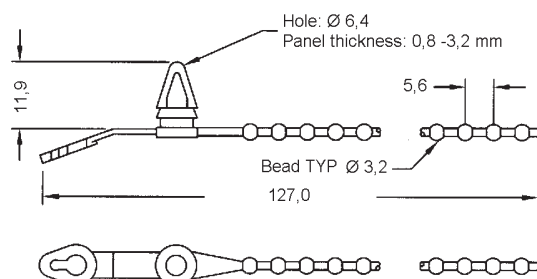
Polypropylene RMS-10	Nylon 6/6 RMS-01	Nylon 6/6 RMS-19	Colour
PT-200	PT-300	---	red
PT-201	PT-301	---	blue
PT-202	PT-302	---	yellow
PT-203	PT-303	---	black
PT-205	PT-305	PT-405	natural
ST-205	ST-305	ST-405	natural



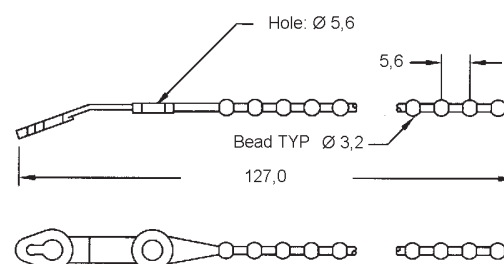
**PT-ST Serie 200/300/400**

PUSHBUTTON TIE

### STYLE PT



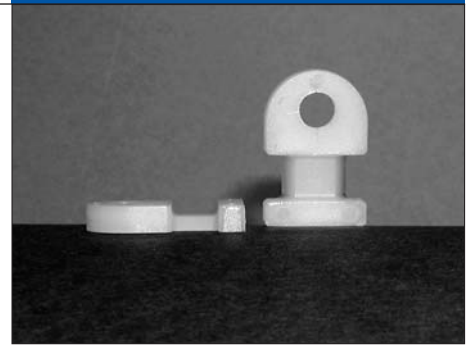
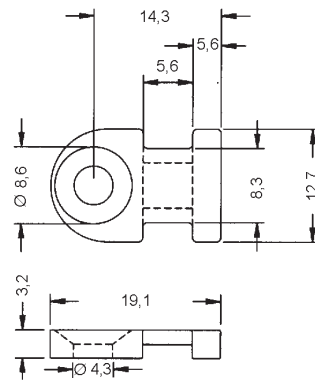
### STYLE ST



Material:  
Series 200: Polypropylene, UL 94 HB, RMS-10  
Series 300: Nylon 6/6, UL 94-V2, RMS-01  
Series 400: Nylon 6/6, UL 94 V-0, RMS-19  
Std. Pk.: 1.000 pcs.

Note: 

PT	200
Part/Style	Type/Colour

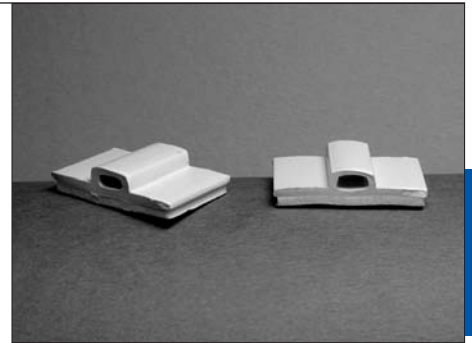
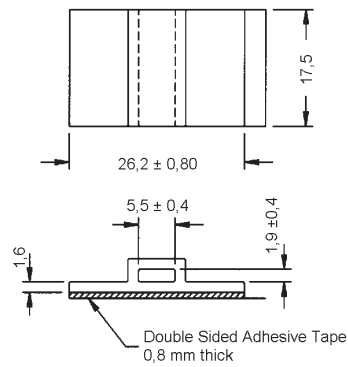


**FTH-1**  
FLAT TIE HOLDER

Material: Nylon 6/6 - natural, UL 94 V-2, RMS-01  
Std. Pk.: 1.000 pcs.

Note:

FTH	1
Part	Type

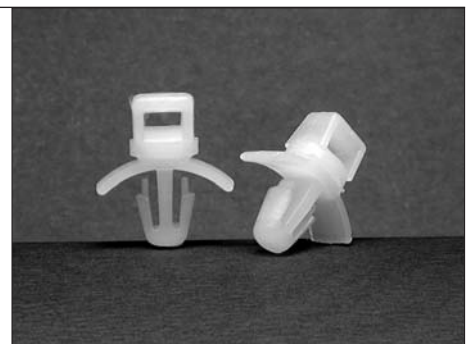
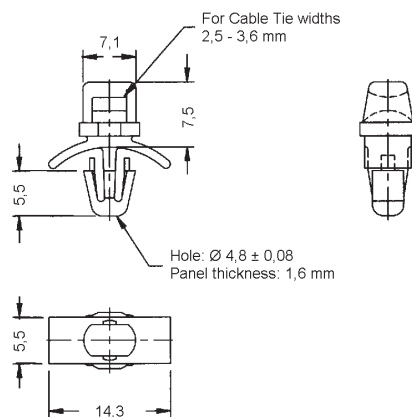


**FTH-2A-RT**  
CABLE TIE HOLDER SELF-ADHESIVE

Material: Noryl - white, UL 94 V-1, RMS-05  
Adhesive Tape: Working temperature -20°C – +50°C  
Std. Pk.: 1.000 pcs.

Note:

FTH	2	A-RT
Part	Size	with Tape



**FTH-3-01**  
FLAT TIE HOLDER

Material: Nylon 6/6 - natural, UL 94 V-2, RMS-01  
Std. Pk.: 1.000 pcs.

Note:

FTH	3	01
Part	Type	Material Code