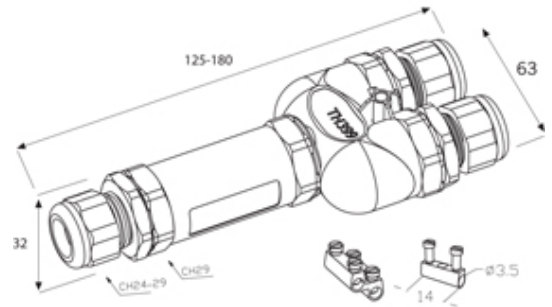


THB.399.A5A

TeeTube 5 Pole Screw - wp 7mm to 13.5mm, 4 mm max conductor size IP68 24A 250V 3 cable entries



SPECIFICATION

Cable Entries	3
Number of Poles	5
Terminal Type	Screw - wp
Body Material	PA66 / TPE
IP Rating	68
Max Conductor Size (Sq mm)	4
Max Current (A)	24
Max Voltage (V)	250
Minimum Temp Rating °C	-40
Maximum Temp Rating °C	125
Minimum Cable Diameter (mm)	7
Maximum Cable Diameter (mm)	13.5
Fixing System	Cable
Temperature "T" Rating	T85