



Electrical performance:
CEI EN 50393
as applicable

Gel: UL 94-HB

Operating temperature

Installation temperature:
-40°C / +50°C

Fully submersible

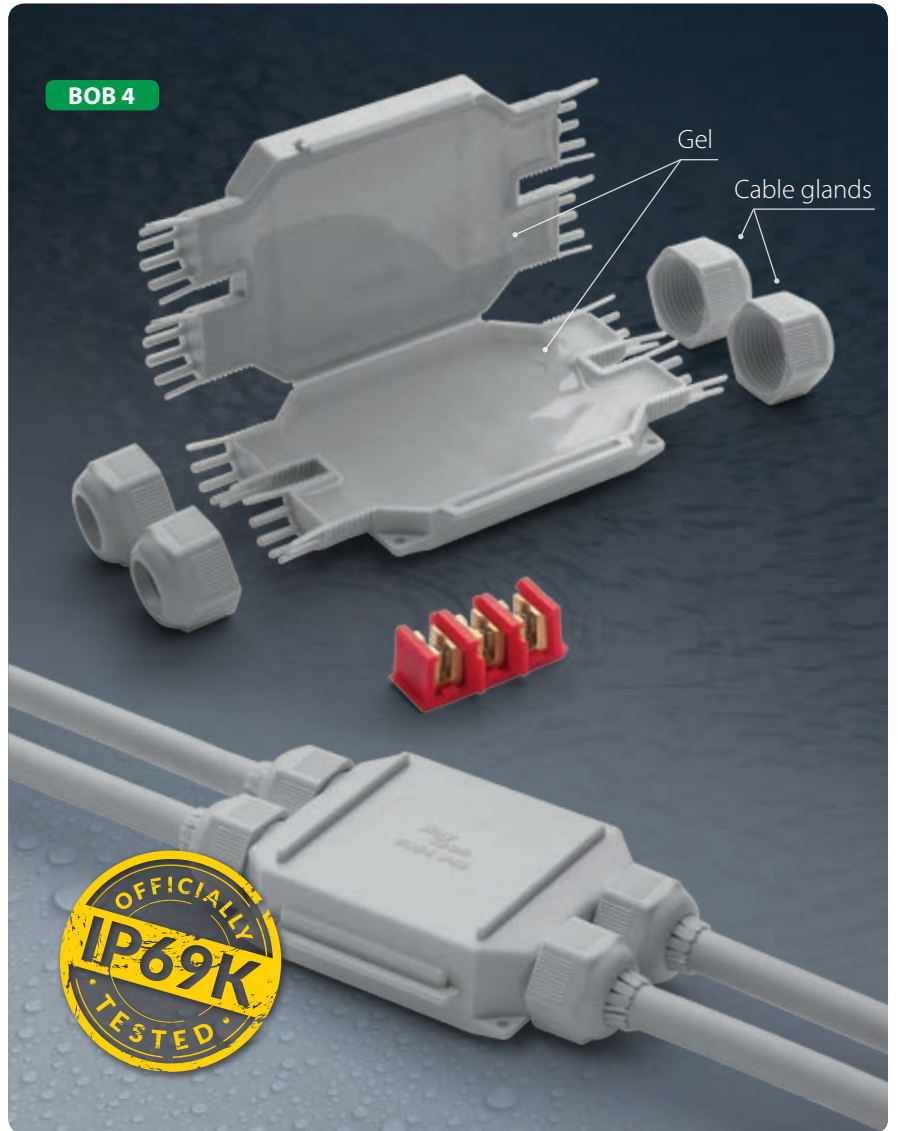
Can be used underground

IP68
OFFICIALLY TESTED **IMQ**

IP69K
OFFICIALLY TESTED

Little Joint X

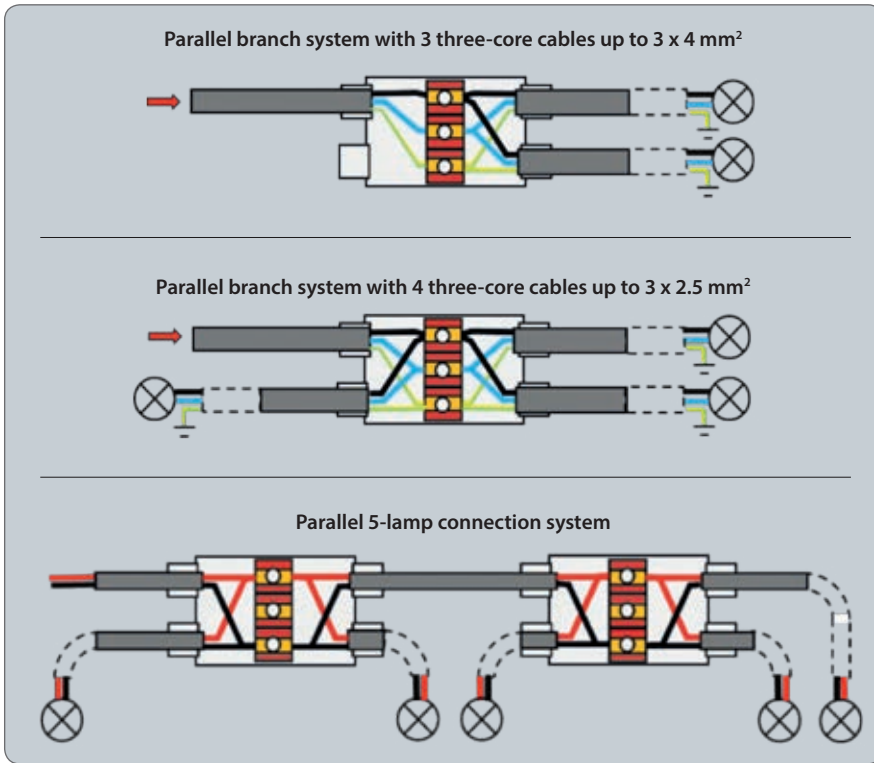
This 4 entrances micro joint IP68 and IP69K for multiple branches is pre-filled with conformable gel, is ready to use, extremely compact and with minimal aesthetic impact.



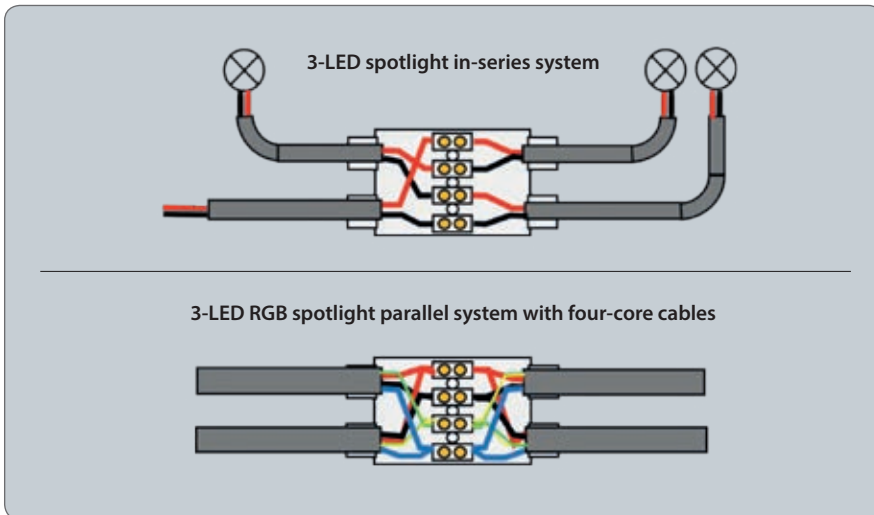
- Equipped with cable gland to avoid accidental cable traction
- Complete with 3-screw connector system
- Pre-filled with classified non-toxic gel
- Extremely compact
- Always re-enterable
- Provided with holes for wall installation
- Halogen free & UV resistant
- Lets you create multiple connection systems



Some installation possibilities for *Bob 4*



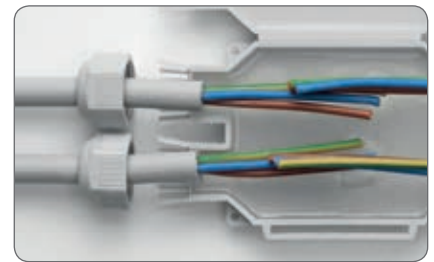
Can be installed with Mammut type connector (not included)



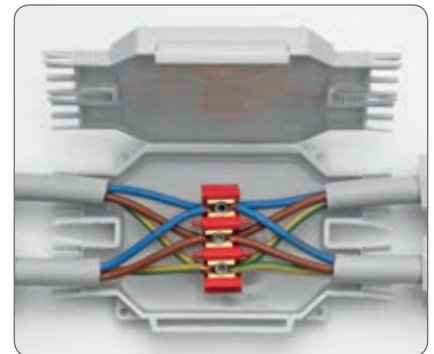
Installation sequence



Cutting the membrane



Glands pre-threading and cable positioning



Conductor connection



Gland closing and tightening

LittleJoint X

Product	Colour	Connector	Cable formation max (N° x mm ²)		Ø cables min - max (mm)	Pieces / Pack	A x B x C (mm)
			Through	Branch			
Bob 4	●		1 cable 3 x 4	2 cables 3 x 4	8 - 13	1 / Blister	105 x 65 x 25
Bob 4 - N	●		3 cables 3 x 2,5	3 cables 3 x 2,5			

