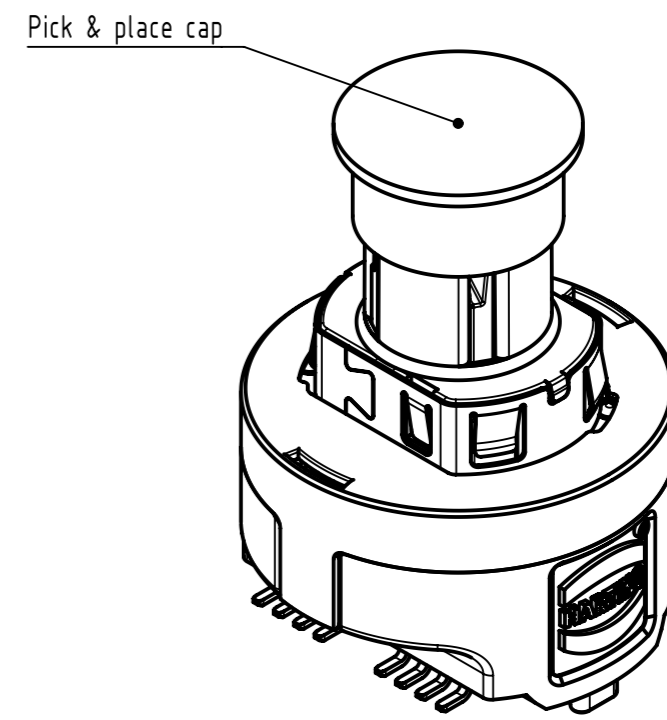
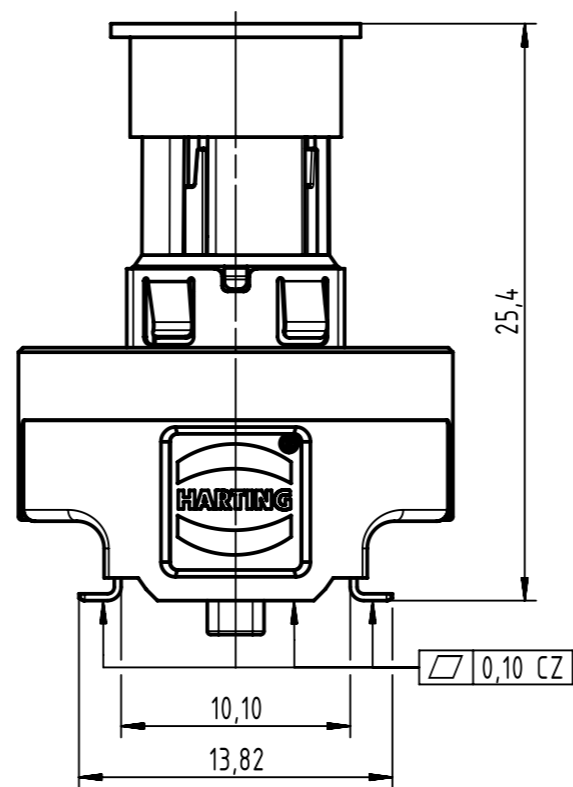
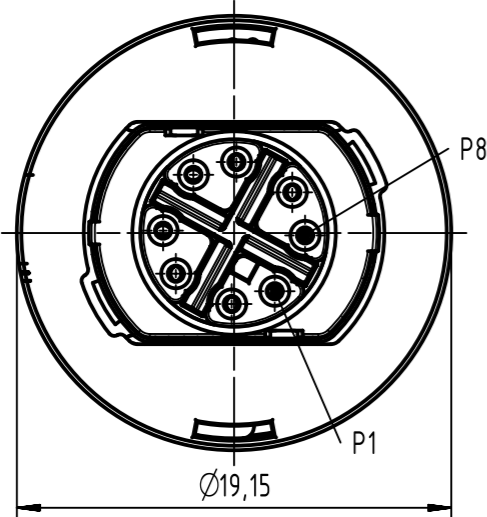


mating face based on IEC 61076-2-109



Further information see data sheet: 21033810103

	All rights reserved Department EC PD - CN HARTING Electronics GmbH D-32339 Espelkamp	All Dimensions in mm Original Size DIN A3		Scale 2:1	Free size tol.	Ref. Sub.
		Created by CHENSK	Inspected by CHENSK	Standardisation HOFFMANN	Date 2017-05-24	State Approved
Title M12 transformer recept X-coded 10G straight w/o PoE						Doc-Key / ECM-Nr. 100684225/UGD/003/B 500000117439
Type TB		Number 21033812818		Rev. B	Page 1/1	