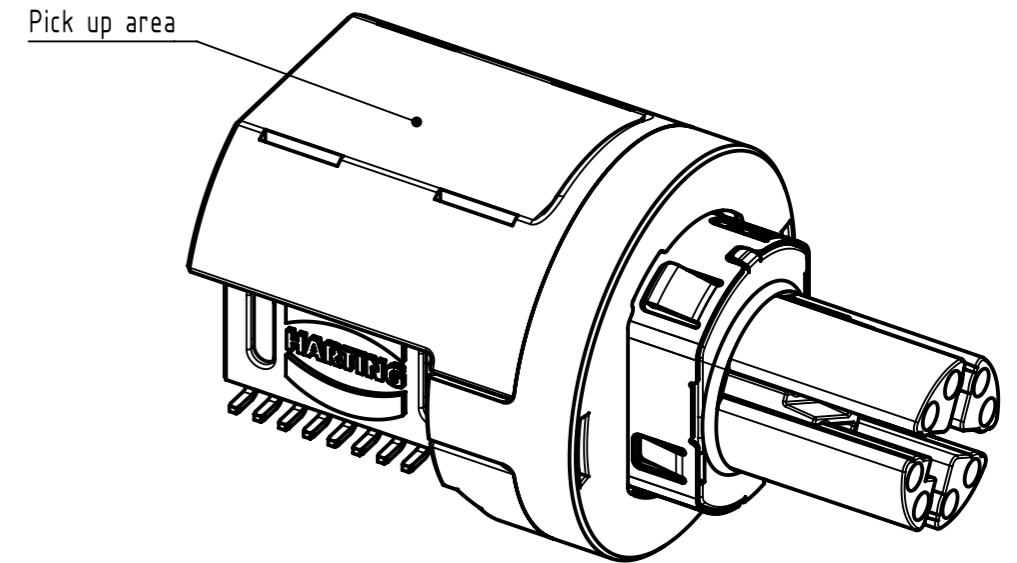
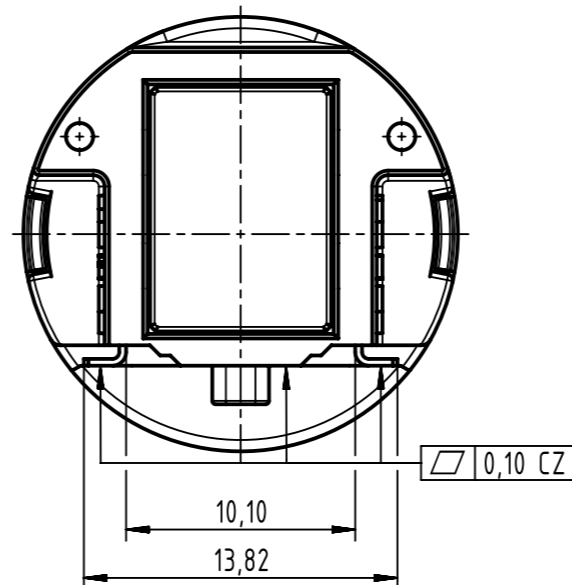
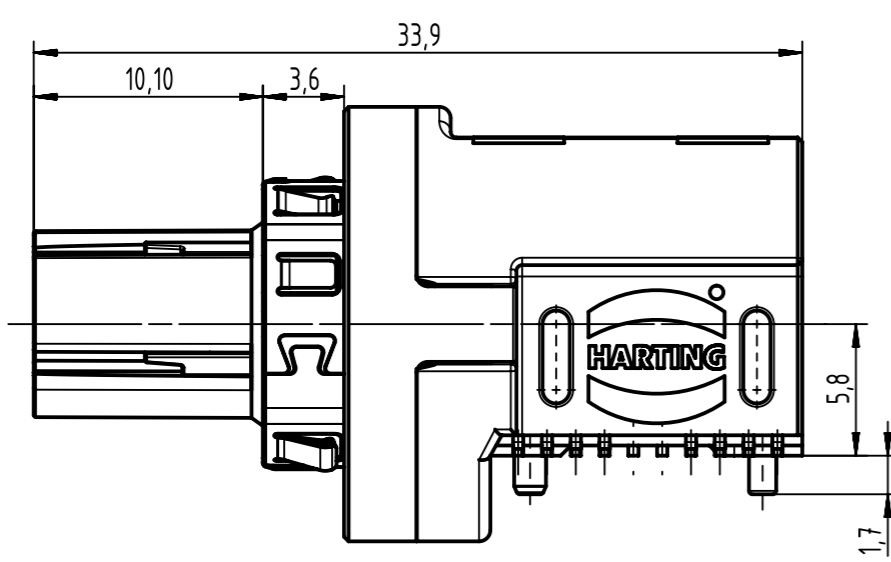
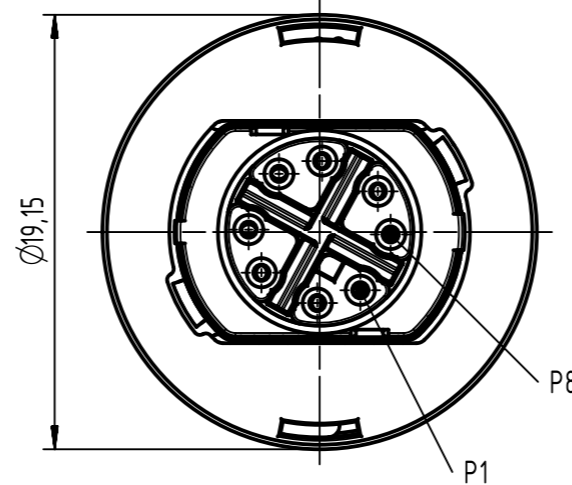


mating face based on  
IEC 61076-2-109



Further information see data sheet: 21033810203

	All Dimensions in mm Original Size DIN A3		Scale 2:1	Free size tol.		Ref.	
						Sub.	
	All rights reserved Department EC PD - CN		Created by CHENSK	Inspected by CHENSK	Standardisation HOFFMANN	Date 2017-05-24	
					State Approved		
HARTING Electronics GmbH D-32339 Espelkamp		Title M12 transformer recept X-coded 10G angled PoE+				Doc-Key / ECM-Nr. 100696830/UGD/003/B 500000117439	
		Type TB	Number 21033814825			Rev. B	Page 1/1