

# UNITED KINGDOM 3-PIN PLUG-IN POWER SUPPLY 5VDC 15 WATT

STONTRONICS: T6813ST



## Features:

- United Kingdom Fixed AC Head
- 1 Year Warranty
- Level VI Efficiency
- CE Approved

## Description:

The Stontronics Range of Class II 15 Watt AC/DC United Kingdom plug-in power supplies provide 15 Watts of continuous power in a compact fixed wall plug enclosure suitable for use in many general power applications.

Specification	
Part Number	T6813ST
Input Voltage Range	90-264Vac
Input Frequency Range	47-63Hz
Input Current Rated	0.6Amax. @ 100-240Vac input & Full load
Inrush Current	40Amax. @ 264Vac input
Output Voltage Rating	+5V
Output Current Range	3A
Output Min Current	0A
Output Connection Type	2.1x5.5x12mm Centre Positive – Straight
Total Output Regulation	+/- 5%
Line and Load Regulation	+/- 2%
Ripple & Noise	300mVp-p
Efficiency	81.39% Min
Over Current Protection	The output shall hiccup when the over currents applied to the output rail, and shall be self-recovery when the fault condition is removed.
Short-Circuit Protection	The input power shall decrease when the output rail short, the power supply shall no damage, and shall be self-recovery when the fault condition is removed.
Operating Temperature	0°C to +40°C
Storage Temperature	-20°C to +60°C
Operating Humidity	20% to 85%
Storage Humidity	5% to 95%
Hi-Pot	3000VAC 10mA 1min
Leakage Current	0.25mA max
Safety Standard	GS/CE
EMI Standard	EN55022 EN61000-3-2
MTBF	50K Hours
Size mm max.	59(L) x 48.54(W) x 26.4(H) mm
Weight	139g
Regulator Type	Switched Mode Power Supply

## General Note

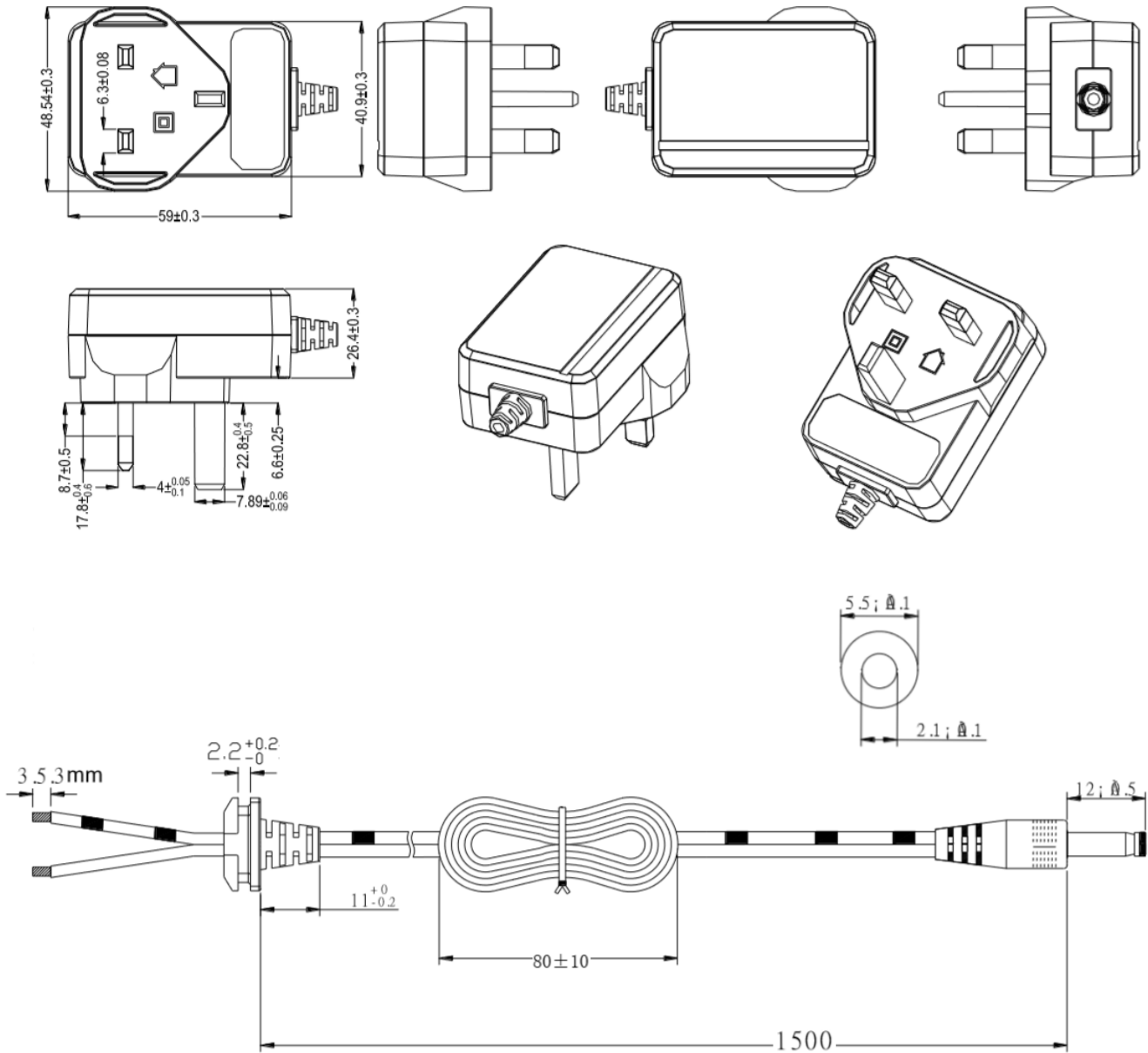
TT Electronics reserves the right to make changes in product specification without notice or liability. All information is subject to TT Electronics' own data and is considered accurate at time of going to print.

# UNITED KINGDOM 3-PIN PLUG-IN POWER SUPPLY 5VDC 15 WATT

## STONTRONICS: T6813ST



### Diagrams



General Note  
TT Electronics reserves the right to make changes in product specification without notice or liability. All information is subject to TT Electronics' own data and is considered accurate at time of going to print.

**STONTRONICS**