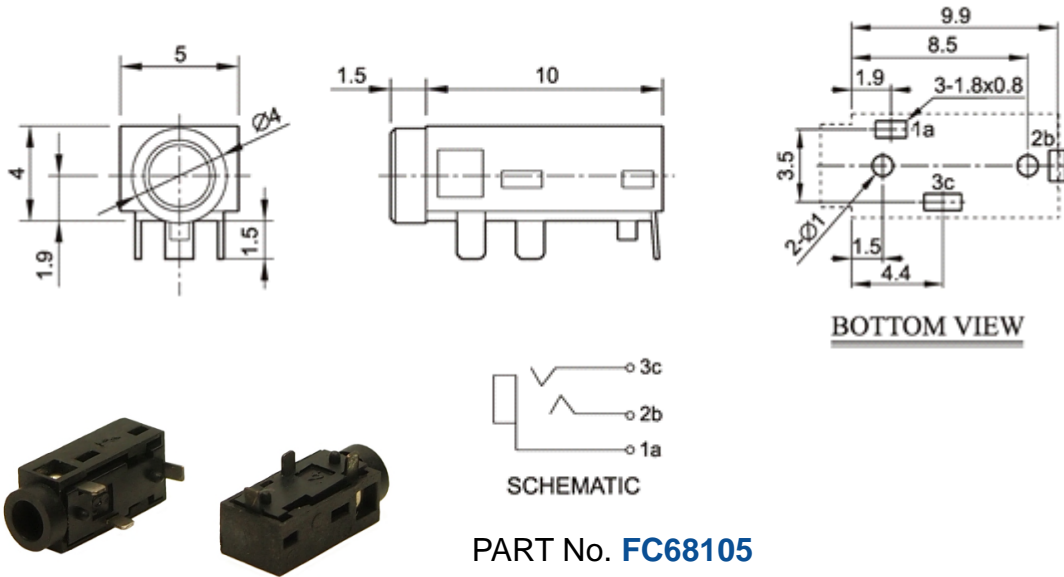


# CLIFF

## LOW PROFILE 2.5mm JACK SOCKET



Note: Short legs, use on  $\leq 1\text{mm}$  PCB.