

Housing screw connection - SACC-BP-M-M8/M12 SMD - 1412505

Please be informed that the data shown in this PDF Document is generated from our Online Catalog. Please find the complete data in the user's documentation. Our General Terms of Use for Downloads are valid (<http://phoenixcontact.com/download>)




M8 pin, rear mounting

Your advantages

- Reduced mounting costs thanks to two-piece device connector
- Easy device integration, thanks to mechanical port screw connections with threaded fastening
- Efficient PCB assembly: two-piece connectors for SMT soldering

RoHS

Key Commercial Data

Packing unit	20 pc
Minimum order quantity	20 pc
GTIN	 4 046356 989060
GTIN	4046356989060
Weight per Piece (excluding packing)	9.200 g
Custom tariff number	85366990
Country of origin	Germany
Note	Made to Order (non-returnable)

Technical data

Ambient conditions

Degree of protection	IP67 (correctly plugged in and locked)
----------------------	--

Material

Material	Brass, nickel-plated
Sealing material	FKM

Environmental Product Compliance

	Lead 7439-92-1
China RoHS	Environmentally Friendly Use Period = 50

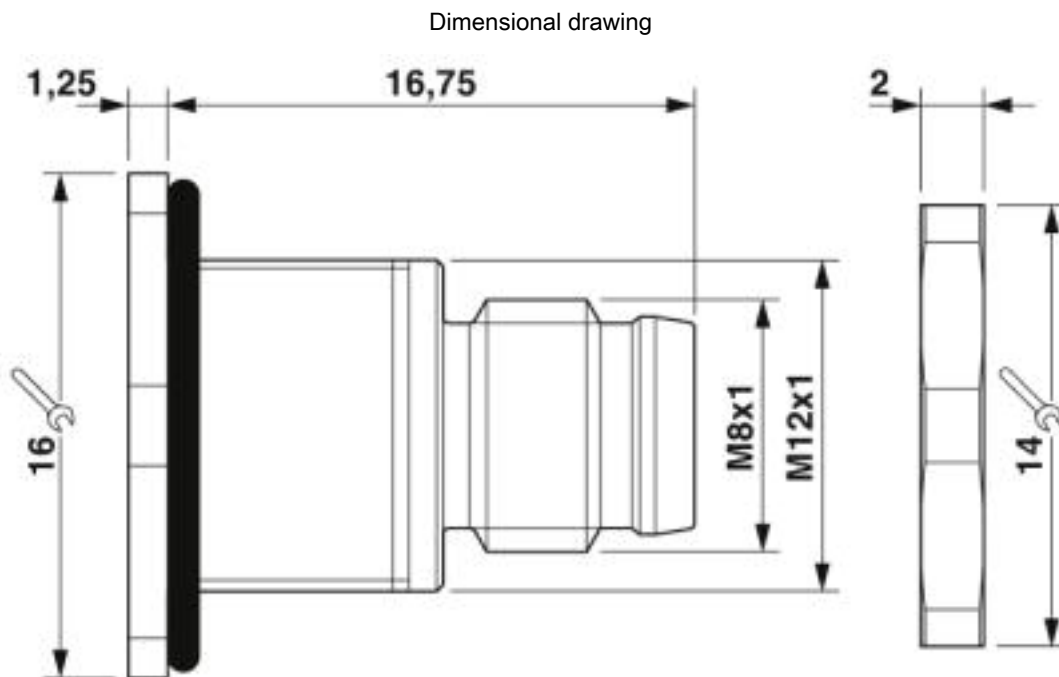
Housing screw connection - SACC-BP-M-M8/M12 SMD - 1412505

Technical data

Environmental Product Compliance

	For details about hazardous substances go to tab "Downloads", Category "Manufacturer's declaration"
--	---

Drawings



Classifications

eCl@ss

eCl@ss 10.0.1	27371392
eCl@ss 4.0	27378000
eCl@ss 4.1	27378000
eCl@ss 5.0	27379100
eCl@ss 5.1	27379100
eCl@ss 6.0	27379200
eCl@ss 7.0	27379201
eCl@ss 8.0	27379201
eCl@ss 9.0	27379201

ETIM

ETIM 5.0	EC002498
ETIM 6.0	EC002498
ETIM 7.0	EC002498

Housing screw connection - SACC-BP-M-M8/M12 SMD - 1412505

Classifications

UNSPSC

UNSPSC 13.2	39121421
-------------	----------

Approvals

Approvals

Approvals

EAC

Ex Approvals

Approval details

EAC		B.01742
-----	---	---------
