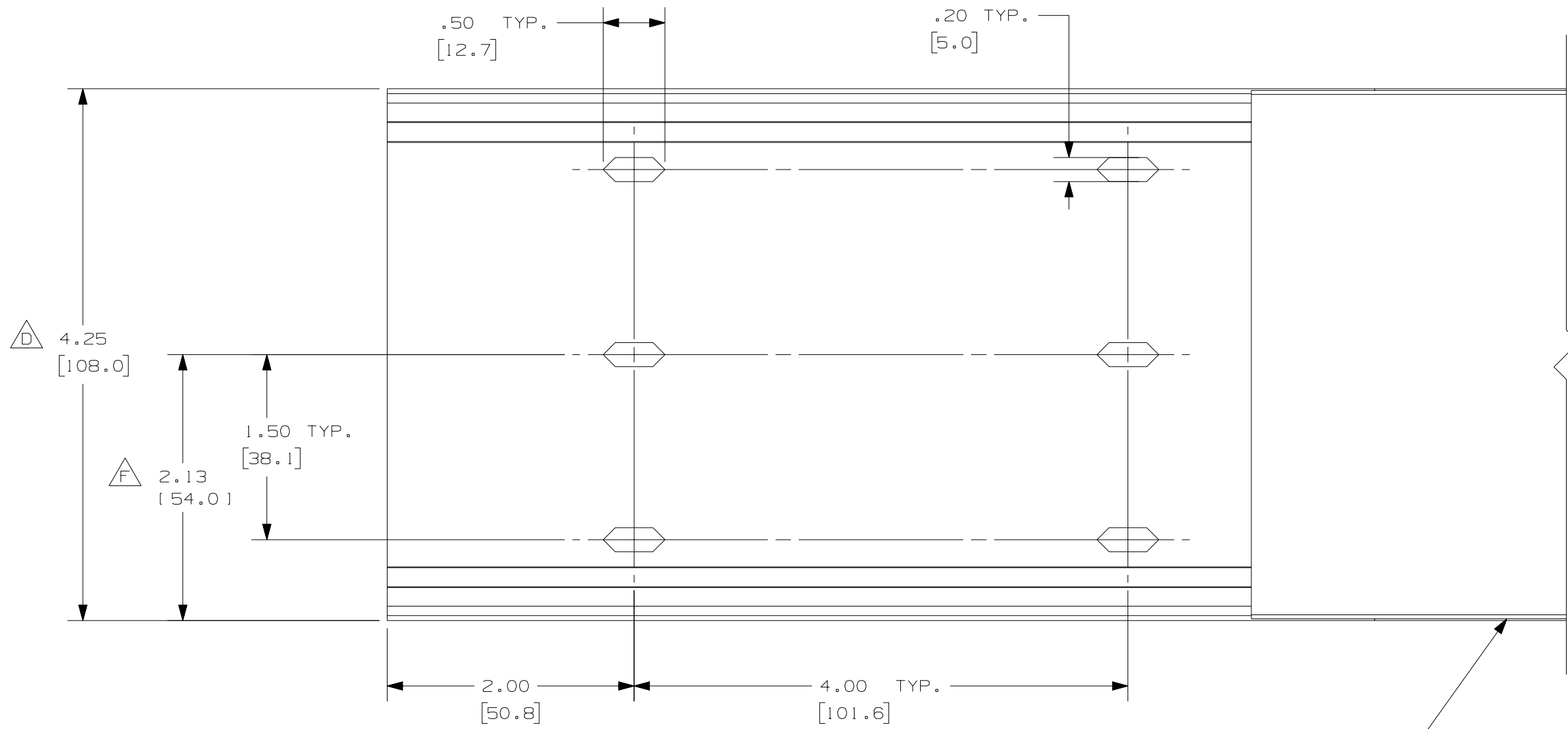
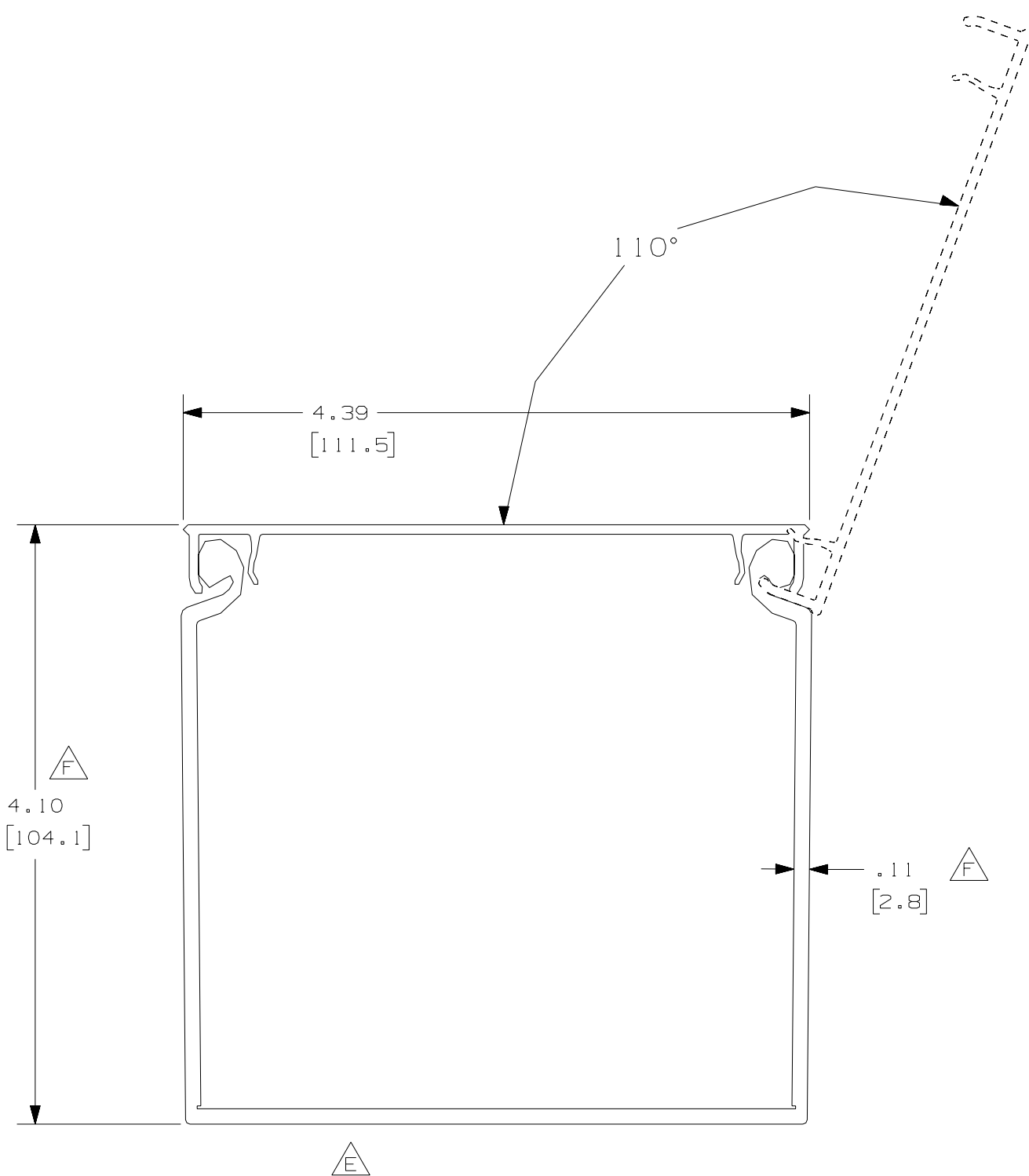
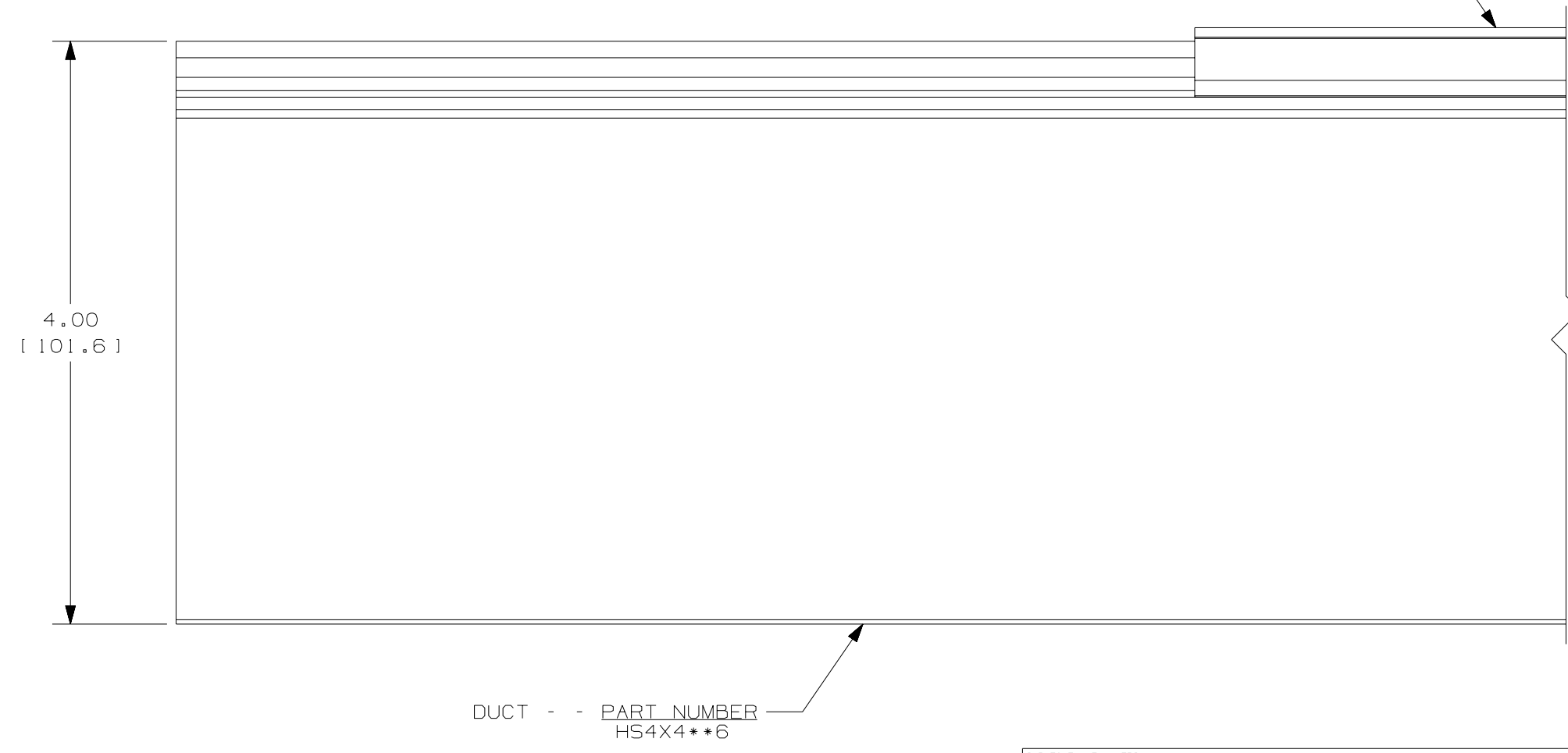


THIS COPY IS PROVIDED ON A RESTRICTED BASIS AND IS NOT TO BE USED IN ANY WAY DETRIMENTAL TO THE INTERESTS OF PANDUIT CORP.



COVER - - PART NUMBER
HC4**6



DUCT - - PART NUMBER
HS4X4**6

- NOTES:
1. ALL DIMENSIONS ARE REFERENCE ONLY.
 2. DIMENSIONS IN PARENTHESIS ARE METRIC.
 3. THE ** DENOTE COLOR.
 4. DUCT AND COVER ARE AVAILABLE IN 6 FT [1828.8] LENGTHS.

REV	DATE	BY	CHK	DESCRIPTION
--	-----	---	---	G. ADDED LENGTH NOTE
--	-----	---	---	F. CORRECTED DIMENSION E. DELETED DIMENSION
2	8/3/07	JCSTMKBE		D. ADDED DIMENSION C. TITLE CHANGED
1	4/8/05	JCSTMKBE		B. TITLE CHANGED A. DRAWING MODIFIED
R	1/13/05	JCSTMKBE		DRAWING RELEASED

CAD FILENAME/LAYERS: D11000PF_DC_MH_00C

PANDUIT CORP. TINLEY PARK, ILLINOIS

WIRING DUCT - TYPE HS SOLID WALL DUCT
4X4 (WITH MOUNTING HOLES & COVER)
MARKETING DRAWING

SCALE: FULL

MATERIAL: PVC

DRAWING NO.: 36897-1039

DWG SIZE: C