

## Sensor/actuator cable - SAC-12P-MS/10,0-PUR/FS SCO - 1413186

Please be informed that the data shown in this PDF Document is generated from our Online Catalog. Please find the complete data in the user's documentation. Our General Terms of Use for Downloads are valid (<http://phoenixcontact.com/download>)


Sensor/actuator cable, 12-position, PUR halogen-free, black RAL 9005, Plug straight M12 SPEEDCON, A-coded, on Socket straight M12 SPEEDCON, A-coded, cable length: 10 m

### Your advantages

- ✓ Easy and safe: 100% electrically tested plug-in components
- ✓ Save time, thanks to installation with SPEEDCON fast locking system
- ✓ Our standard: robust halogen-free PUR cable
- ✓ Save space – with high-pos. connectors



### Key Commercial Data

|                                      |   |
|--------------------------------------|---|
| Packing unit                         | 1 pc  |
| Minimum order quantity               | 25 pc   |
| GTIN                                 | <br>4 046356 993258 |
| GTIN                                 | 4046356993258   |
| Weight per Piece (excluding packing) | 602.000 g   |
| Custom tariff number                 | 85444290  |
| Country of origin                    | Germany   |
| Note                                 | Made to Order (non-returnable)  |

### Technical data

#### Dimensions

|                 |      |
|-----------------|------|
| Length of cable | 10 m |
|-----------------|------|

#### General

|                       |                               |
|-----------------------|-------------------------------|
| Rated current at 40°C | 1.5 A                         |
| Rated voltage         | 30 V AC<br>30 V DC            |
| Number of positions   | 12                            |
| Insulation resistance | ≥ 100 MΩ                      |
| Coding                | A-coded                       |
| Standards/regulations | M12 connector IEC 61076-2-101 |
| Status display        | No                            |
| Overvoltage category  | II                            |
| Degree of pollution   | 3                             |

# Sensor/actuator cable - SAC-12P-MS/10,0-PUR/FS SCO - 1413186

## Technical data

### Material

|  |   |
|--|---|
| Flammability rating according to UL 94 | V0  |
| Contact material                       | CuZn  |
| Contact surface material               | Ni/Au                                       |
| Contact carrier material               | PA 6.6                                      |
| Material of grip body                  | TPU, hardly inflammable, self-extinguishing |
| Material, knurls                       | Zinc die-cast, nickel-plated                |
| Sealing material                       | NBR   |

### Standards and Regulations

|  |                 |
|--|-----------------|
| Standard designation                   | M12 connector   |
| Standards/regulations                  | IEC 61076-2-101 |
| Flammability rating according to UL 94 | V0              |

### Cable

|                                    |   |
|------------------------------------|---|
| Conductor cross section            | 12x 0.14 mm <sup>2</sup> (Signal line)  |
| AWG signal line                    | 26  |
| Conductor structure signal line    | 18x 0.10 mm   |
| Core diameter including insulation | 1 mm ±0.05 mm (Signal line)   |
| Wire colors                        | white, brown, green, yellow, gray, pink, blue, red, black, violet, gray/pink, red/blue                                    |
| Overall twist                      | 12 wires twisted in layers  |
| External sheath, color             | black RAL 9005  |
| External cable diameter D          | 7.2 mm  |
| Number of bending cycles           | 4000000   |
| Bending radius                     | 54 mm   |
| Traversing path                    | 10 m  |
| Traversing rate                    | 3 m/s   |
| Acceleration                       | 10 m/s <sup>2</sup>   |
| Outer sheath, material             | PUR   |
| Material conductor insulation      | PP  |
| Conductor material                 | Tin-plated Cu litz wires  |
| Conductor resistance               | 142 Ω/km  |
| Special properties                 | Low adhesion surface  |
| Flame resistance                   | in acc. to UL VW1<br>DIN EN 60332-1-2   |
| Halogen-free                       | in accordance with DIN EN 50267-2-1   |
| Resistance to oil                  | DIN VDE 0472 Part 803, test type B  |
| Other resistance                   | Hydrolysis and microbe resistant as per VDE 0282 section 10<br>partly UV-resistant in accordance with DIN EN ISO 4892-2-A |
| Ambient temperature (operation)    | -40 °C ... 80 °C (cable, fixed installation)<br>-5 °C ... 80 °C (cable, flexible installation)                            |

### Environmental Product Compliance

# Sensor/actuator cable - SAC-12P-MS/10,0-PUR/FS SCO - 1413186

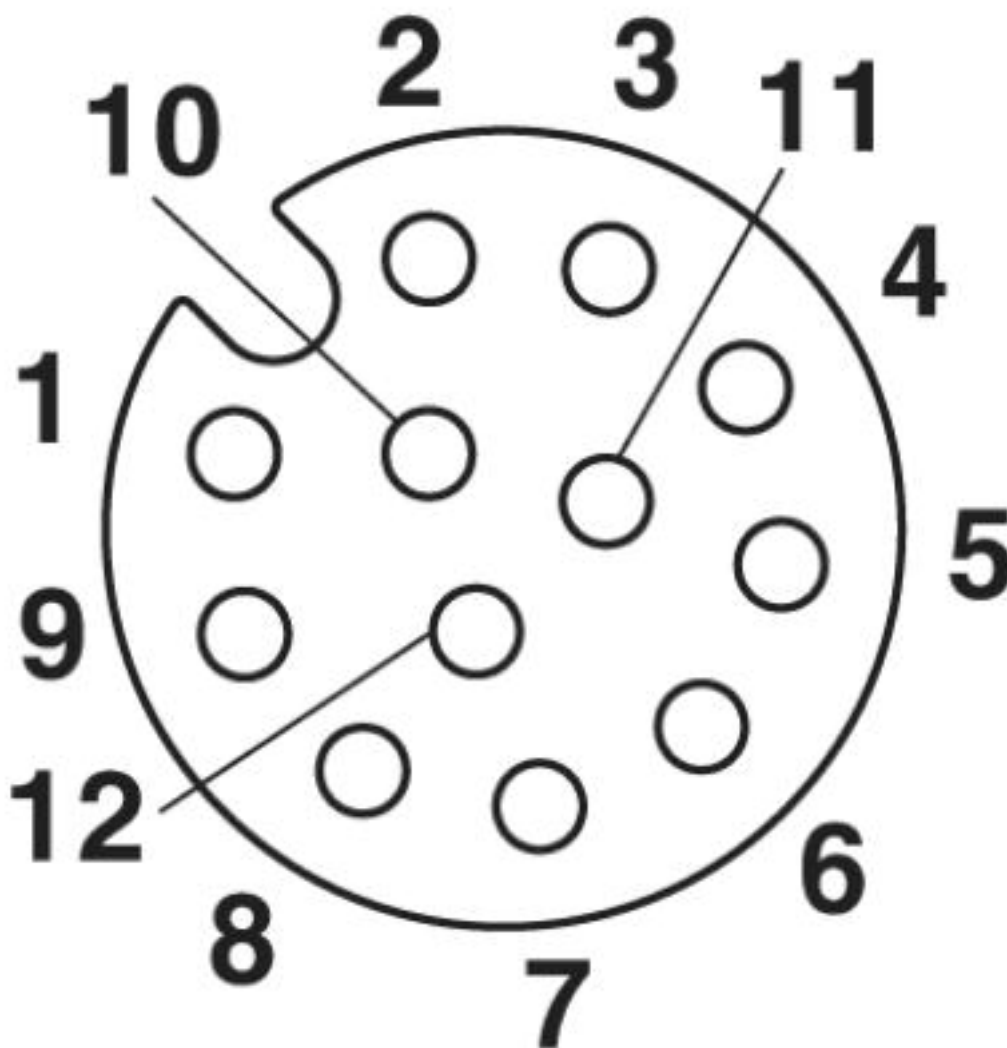
## Technical data

### Environmental Product Compliance

|            |   |
|------------|---|
|            | Lead 7439-92-1  |
| China RoHS | Environmentally Friendly Use Period = 50  |
|            | For details about hazardous substances go to tab "Downloads", Category "Manufacturer's declaration" |

## Drawings

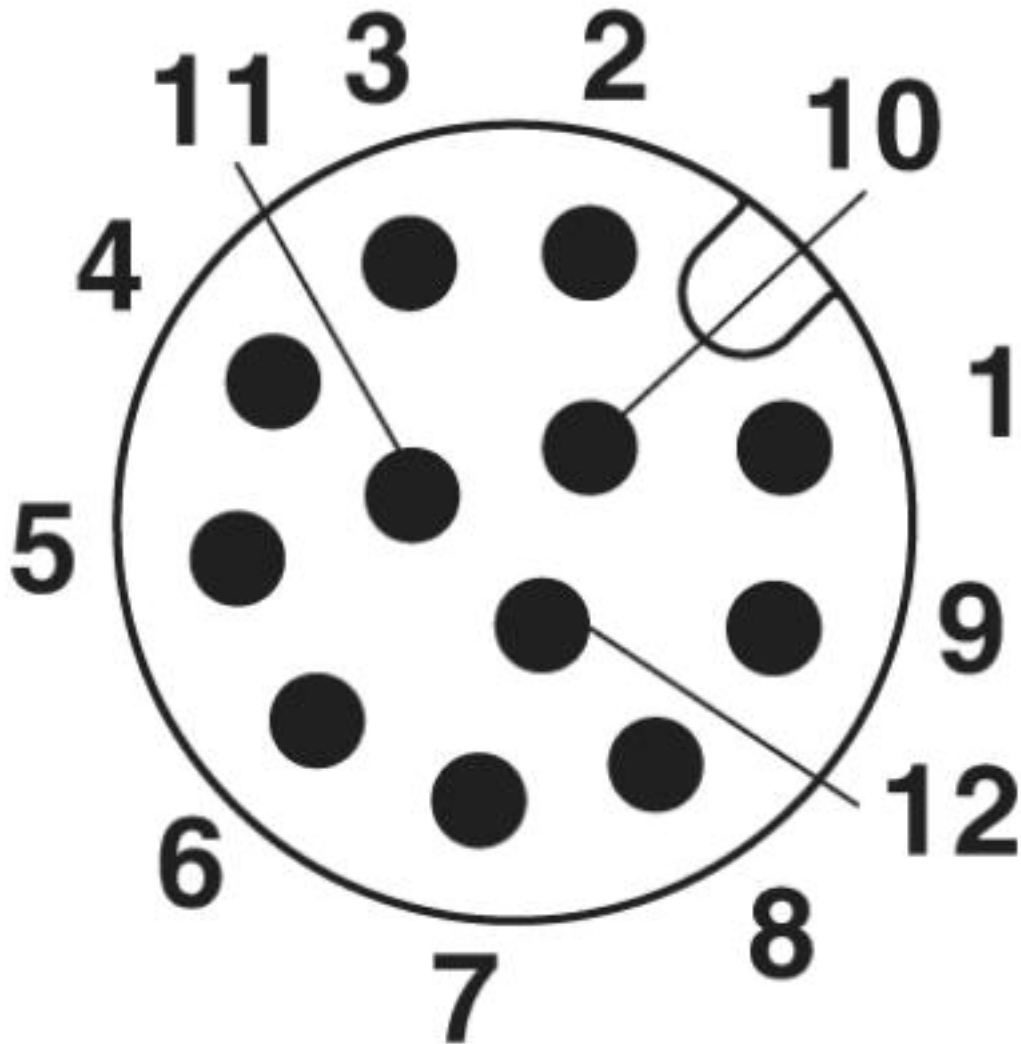
Schematic diagram



Pin assignment M12, 12-pos., female side view

# Sensor/actuator cable - SAC-12P-MS/10,0-PUR/FS SCO - 1413186

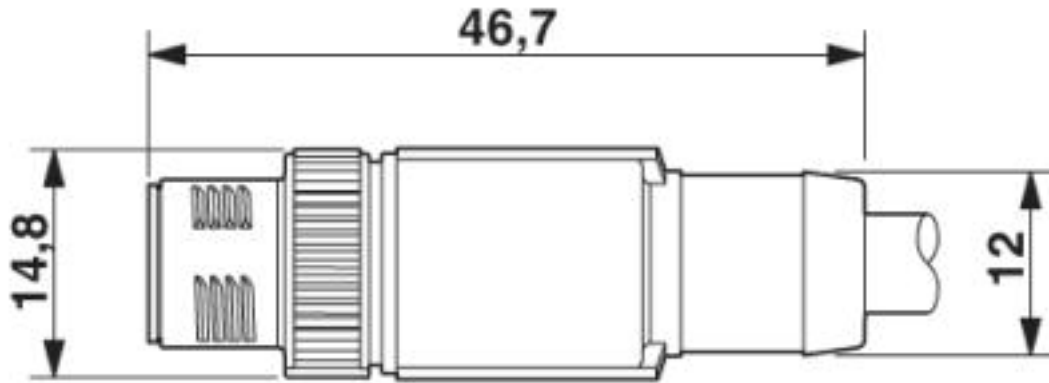
Schematic diagram



Pin assignment M12 male connector, 12-pos., male side view

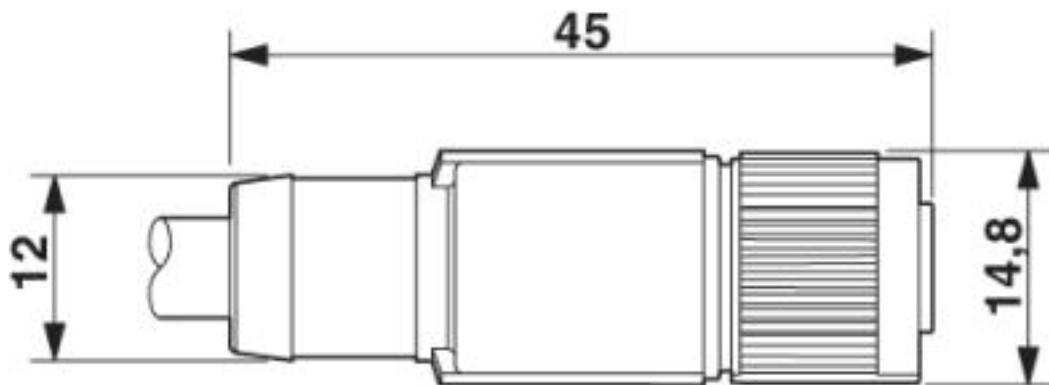
# Sensor/actuator cable - SAC-12P-MS/10,0-PUR/FS SCO - 1413186

Dimensional drawing



M12 SPEEDCON plug, straight

Dimensional drawing



M12-SPEEDCON socket, straight

# Sensor/actuator cable - SAC-12P-MS/10,0-PUR/FS SCO - 1413186

Cable cross section



PUR halogen-free black [PUR]

## Classifications

eCl@ss

|            |          |
|------------|----------|
| eCl@ss 4.0 | 27060300 |
| eCl@ss 4.1 | 27060300 |
| eCl@ss 5.0 | 27061800 |
| eCl@ss 5.1 | 27061800 |
| eCl@ss 6.0 | 27279200 |
| eCl@ss 7.0 | 27279218 |
| eCl@ss 8.0 | 27279218 |
| eCl@ss 9.0 | 27060311 |

# Sensor/actuator cable - SAC-12P-MS/10,0-PUR/FS SCO - 1413186

## Classifications

### ETIM

|          |          |
|----------|----------|
| ETIM 4.0 | EC001855 |
| ETIM 5.0 | EC001855 |
| ETIM 6.0 | EC001855 |
| ETIM 7.0 | EC001855 |

### UNSPSC

|             |          |
|-------------|----------|
| UNSPSC 13.2 | 31251501 |
| UNSPSC 19.0 | 31251501 |
| UNSPSC 20.0 | 31251501 |
| UNSPSC 21.0 | 31251501 |

## Approvals

### Approvals

---

Approvals


UL Listed

---

Ex Approvals

---

### Approval details

|                    |   |   |               |
|--------------------|---|---|---------------|
| UL Listed          |  | <a href="http://database.ul.com/cgi-bin/XYVV/template/LISEXT/1FRAME/index.htm">http://database.ul.com/cgi-bin/XYVV/template/LISEXT/1FRAME/index.htm</a> | FILE E 221474 |
| Nominal voltage UN | 30 V  |   |               |
| Nominal current IN | 1 A   |   |               |