

Inline terminal - IB IL 24 PWR IN/2-F-D-PAC - 2862152

Please be informed that the data shown in this PDF Document is generated from our Online Catalog. Please find the complete data in the user's documentation. Our General Terms of Use for Downloads are valid (<http://phoenixcontact.com/download>)



Inline power terminal block, complete with accessories (connector and labeling field), 24 V DC, with fuse (Main and segment voltage) and diagnostics

The figure shows the version IB IL 24 PWR IN-PAC

Product Description

The terminal is designed for use within an Inline station. It provides a 24 V supply voltage to the main circuit (U_M) and automatically supplies power for the 24 V segment circuit (U_S). The terminal has protection against polarity reversal and surge voltage. The internal fuse protects the main and segment circuits. This terminal has an LED for bus diagnostics. It occupies two input data bits, which indicate the availability of the supply voltage and the status of the fuse.

Your advantages

- Supply of the 24 V main voltage U_M
- Provision of the 24 V segment voltage U_S
- Main and segment circuits protected by an internal fuse



Key Commercial Data

Packing unit	1 pc
GTIN	 4 017918 894641
GTIN	4017918894641
Weight per Piece (excluding packing)	44.000 g
Custom tariff number	85389091
Country of origin	Germany

Technical data

Note

Utilization restriction	EMC: class A product, see manufacturer's declaration in the download area
-------------------------	---

Dimensions

Inline terminal - IB IL 24 PWR IN/2-F-D-PAC - 2862152

Technical data

Dimensions

Width	12.2 mm
Height	119.8 mm
Depth	71.5 mm

Interfaces

Connection method	Inline data jumper
Interface	Inline local bus

Power supply

Typical current consumption	30 mA
I/O voltage	24 V DC
I/O voltage range	19.2 V DC ... 30 V DC (including all tolerances, including ripple)
Max. current consumption	4 A
Fuse	SI 5 x 20 6, 300 AT (in scope of delivery)

General

Type of protection	Surge protection
	Reverse polarity protection
	Overload protection, short-circuit protection in the main and segment circuits
Weight	59 g
Number of plugs	1

Inline potentials

Designation	Communications power (U_L)
Supply voltage	7.5 V DC (via voltage jumper)
Current consumption	max. 25 mA
Power consumption	max. 0.19 W
Designation	Main circuit supply (U_M)
Supply voltage	24 V DC (via Inline connector)
Supply voltage range	19.2 V ... 30 V (including all tolerances, including ripple)
Power supply unit	max. 6.3 A (Sum of $U_M + U_S$; 4 A, maximum, when used in potentially explosive areas.)
Current consumption	typ. 4 A (nominal value)
Designation	Segment circuit supply (U_S)
Supply voltage	24 V DC
Supply voltage range	19.2 V DC ... 30 V DC (including all tolerances, including ripple)
Power supply unit	max. 6.3 A (Sum of $U_M + U_S$; 4 A, maximum, when used in potentially explosive areas.)
Current consumption	typ. 4 A (nominal value)

Standards and Regulations

Connection in acc. with standard	CUL
----------------------------------	-----

Environmental Product Compliance

Inline terminal - IB IL 24 PWR IN/2-F-D-PAC - 2862152

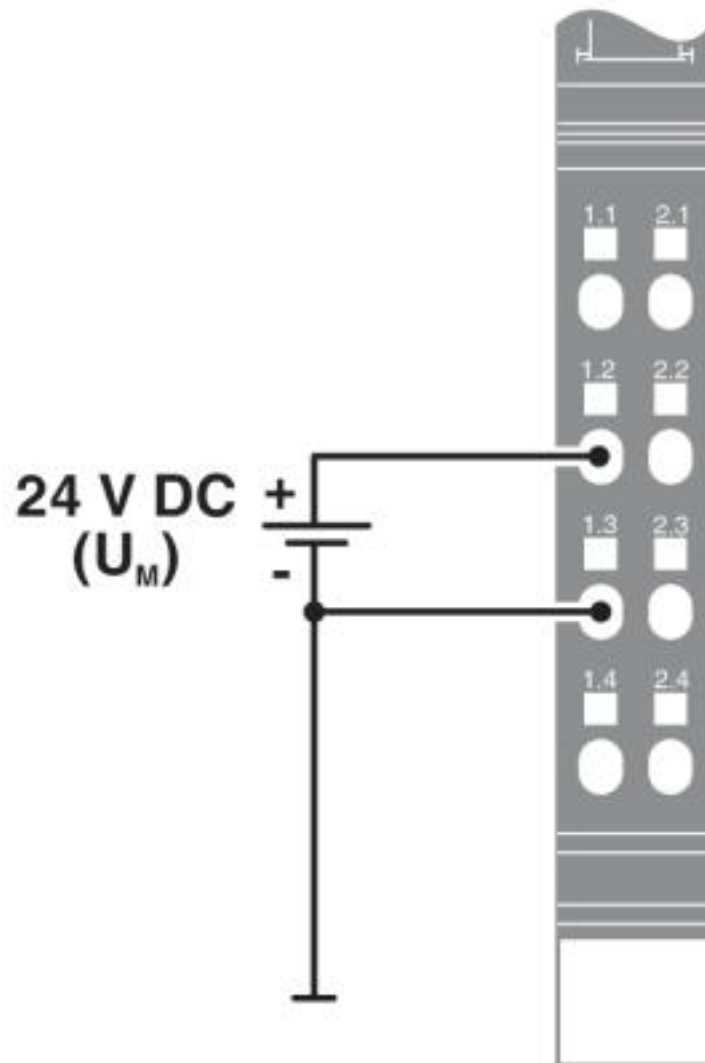
Technical data

Environmental Product Compliance

REACH SVHC	Lead 7439-92-1
China RoHS	Environmentally friendly use period: unlimited = EFUP-e
	No hazardous substances above threshold values

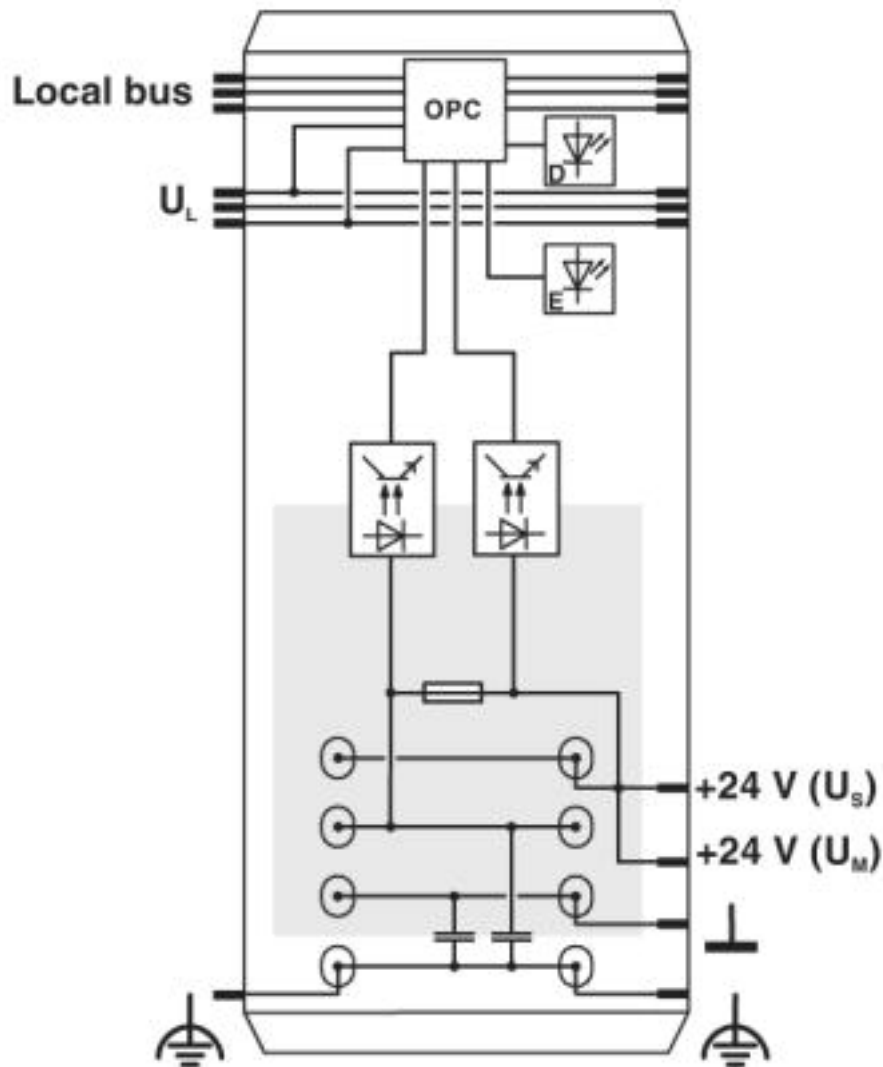
Drawings

Connection diagram



Inline terminal - IB IL 24 PWR IN/2-F-D-PAC - 2862152

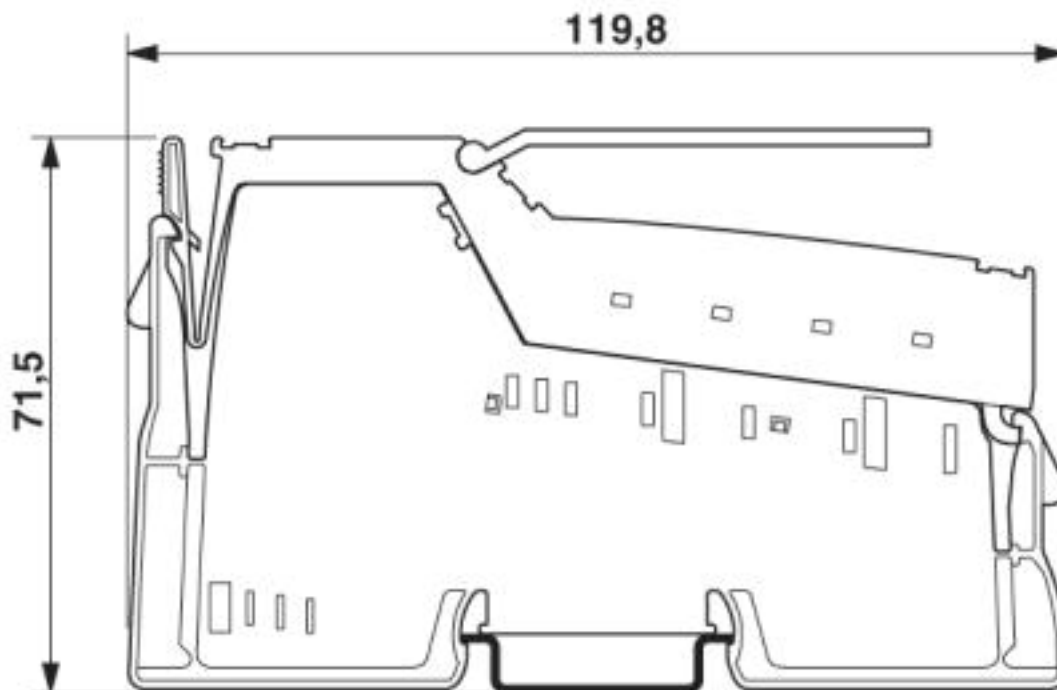
Block diagram



Internal wiring of the terminal points

Inline terminal - IB IL 24 PWR IN/2-F-D-PAC - 2862152

Dimensional drawing



Classifications

eCl@ss

eCl@ss 4.0	27250300
eCl@ss 4.1	27250300
eCl@ss 5.0	27250300
eCl@ss 5.1	27242600
eCl@ss 6.0	27242600
eCl@ss 7.0	27242610
eCl@ss 8.0	27242610
eCl@ss 9.0	27242610

ETIM

ETIM 2.0	EC001433
ETIM 3.0	EC001600
ETIM 4.0	EC001600
ETIM 5.0	EC001600
ETIM 6.0	EC001600
ETIM 7.0	EC001600

UNSPSC

UNSPSC 6.01	43172015
UNSPSC 7.0901	43201404

Inline terminal - IB IL 24 PWR IN/2-F-D-PAC - 2862152

Classifications

UNSPSC

UNSPSC 11	43172015
UNSPSC 12.01	43201404
UNSPSC 13.2	32151602
UNSPSC 18.0	32151602
UNSPSC 19.0	32151602
UNSPSC 20.0	32151602
UNSPSC 21.0	32151602

Approvals

Approvals

Approvals

UL Recognized / cUL Recognized / EAC / cULus Recognized

Ex Approvals

ATEX

Approval details

UL Recognized		http://database.ul.com/cgi-bin/XYV/template/LISEXT/1FRAME/index.htm	FILE E 140324
---------------	--	---	---------------

cUL Recognized		http://database.ul.com/cgi-bin/XYV/template/LISEXT/1FRAME/index.htm	FILE E 140324
----------------	--	---	---------------

EAC		EAC-Zulassung
-----	--	---------------

cULus Recognized	
------------------	--

Accessories

Accessories

Fuse

Inline terminal - IB IL 24 PWR IN/2-F-D-PAC - 2862152

Accessories

Fuse - SI 5X20 6,3 A T DIN 41662 - 2726104



Replacement fuse

Labeling panel

Labeling field - IB IL FIELD 2 - 2727501

Labeling field, width: 12.2 mm



Plug

Inline connector - IB IL SCN-PWR IN-CP - 2727637



Connector, colored, for Inline power and segment terminal blocks

Inline connector - IB IL SCN-PWR IN - 2727462

Connector, for Inline power and segment terminal blocks



Terminal marking

Insert strip - ESL 62X10 - 0809492

Insert strip, Sheet, white, unlabeled, can be labeled with: Office printing systems: Laser printer, mounting type: insert, lettering field size: 62 x 10 mm, Number of individual labels: 72



