

## Inline function terminal - IB IL 24 SEG-ELF-PAC - 2861409

Please be informed that the data shown in this PDF Document is generated from our Online Catalog. Please find the complete data in the user's documentation. Our General Terms of Use for Downloads are valid (<http://phoenixcontact.com/download>)



Inline segment terminal block, complete with accessories (connector and labeling field), 24 V DC, electronic fuse

### Product Description

The terminal is designed for use within an Inline station.

This terminal can be used to create a partial circuit (segment circuit) within a main circuit.

The terminal is not used for voltage supply. It therefore does not have any elements for protection against polarity reversal and surge voltage.

This terminal has an LED for bus diagnostics. It occupies two input data bits, which indicate the status of the electronic fuse.

### Your advantages

- Automatic creation of a segment circuit in the main circuit
- Protection of the segment circuit using an electronic fuse with short-circuit current limitation
- Diagnostic and status indicators

### Key Commercial Data

Packing unit	1 pc
GTIN	
GTIN	4017918894344
Weight per Piece (excluding packing)	44.000 g
Custom tariff number	85389091
Country of origin	Germany

### Technical data

#### Note

Utilization restriction	EMC: class A product, see manufacturer's declaration in the download area
-------------------------	---

#### Dimensions

Width	12.2 mm
Height	119.8 mm
Depth	71.5 mm

# Inline function terminal - IB IL 24 SEG-ELF-PAC - 2861409

## Technical data

### Interfaces

Connection method	Inline data jumper
Interface	Inline local bus

### Power supply

Typical current consumption	30 mA
I/O voltage	24 V DC
I/O voltage range	19.2 V DC ... 30 V DC
Max. current consumption	2.5 A
Fuse	2.5 A (electronic)

### General

Type of protection	Overload protection
Weight	44 g
Number of plugs	1

### Inline potentials

Designation	Communications power ( $U_L$ )
Supply voltage	7.5 V DC (via voltage jumper)
Current consumption	max. 30 mA
Designation	Main circuit supply ( $U_M$ )
Supply voltage	24 V DC
Supply voltage range	19.2 V DC ... 30 V DC (including all tolerances, including ripple)
Current consumption	max. 2.5 A (nominal value)
Designation	Segment circuit supply ( $U_S$ )
Supply voltage	24 V DC
Supply voltage range	19.2 V DC ... 30 V DC (including all tolerances, including ripple)
Power supply unit	max. 2.5 A (nominal value)

### Standards and Regulations

Connection in acc. with standard	CUL
----------------------------------	-----

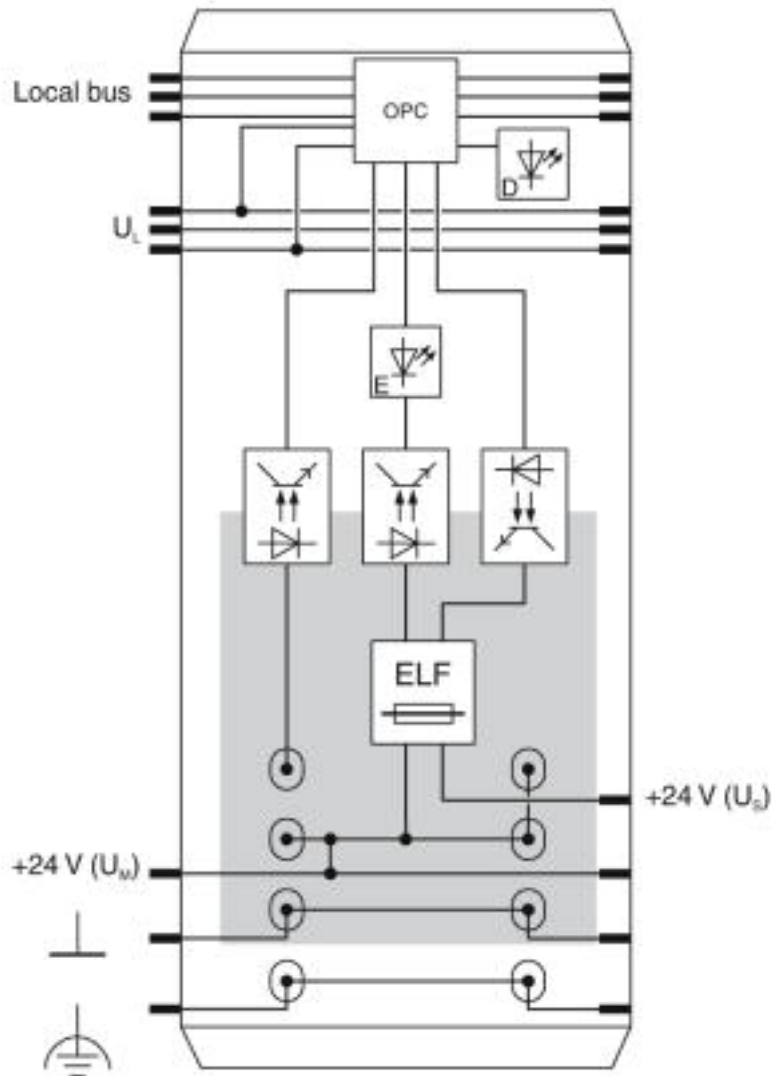
### Environmental Product Compliance

REACH SVHC	Lead 7439-92-1
China RoHS	Environmentally Friendly Use Period = 50
	For details about hazardous substances go to tab "Downloads", Category "Manufacturer's declaration"

## Drawings

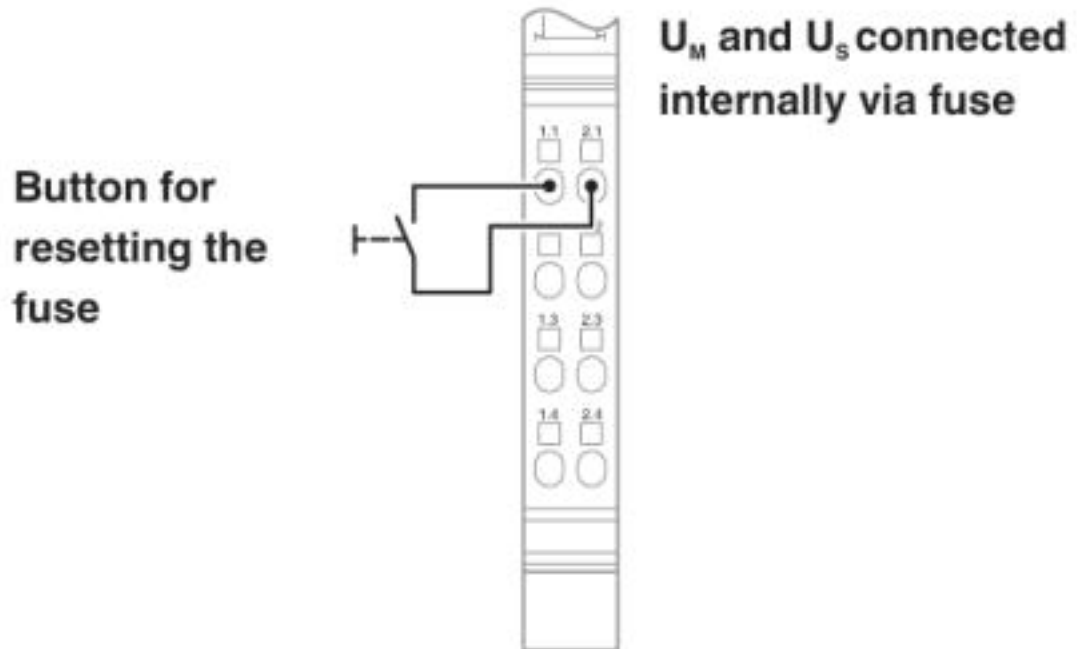
# Inline function terminal - IB IL 24 SEG-ELF-PAC - 2861409

Block diagram

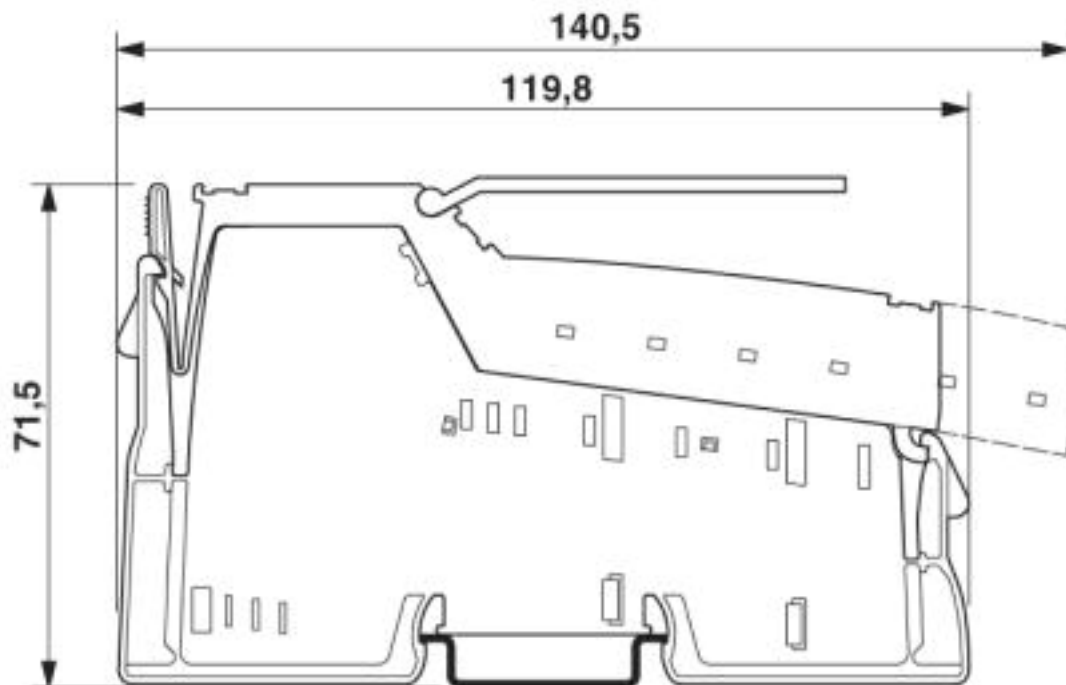


# Inline function terminal - IB IL 24 SEG-ELF-PAC - 2861409

Connection diagram



Dimensional drawing



## Classifications

eCl@ss

eCl@ss 4.0

27250300

# Inline function terminal - IB IL 24 SEG-ELF-PAC - 2861409

## Classifications

### eCl@ss

eCl@ss 4.1	27250300
eCl@ss 5.0	27250300
eCl@ss 5.1	27242600
eCl@ss 6.0	27242600
eCl@ss 7.0	27242610
eCl@ss 8.0	27242610
eCl@ss 9.0	27242610

### ETIM

ETIM 2.0	EC001433
ETIM 3.0	EC001600
ETIM 4.0	EC001600
ETIM 5.0	EC001600
ETIM 6.0	EC001600
ETIM 7.0	EC001600

### UNSPSC

UNSPSC 6.01	43172015
UNSPSC 7.0901	43201404
UNSPSC 11	43172015
UNSPSC 12.01	43201404
UNSPSC 13.2	32151602
UNSPSC 18.0	32151602
UNSPSC 19.0	32151602
UNSPSC 20.0	32151602
UNSPSC 21.0	32151602

## Approvals

### Approvals

---

Approvals

UL Recognized / EAC

---

Ex Approvals

UL Listed / cUL Listed / cULus Listed

---

### Approval details

# Inline function terminal - IB IL 24 SEG-ELF-PAC - 2861409

## Approvals

UL Recognized		<a href="http://database.ul.com/cgi-bin/XYV/template/LISEXT/1FRAME/index.htm">http://database.ul.com/cgi-bin/XYV/template/LISEXT/1FRAME/index.htm</a>	FILE E 140324
---------------	--	---	---------------

EAC		EAC-Zulassung
-----	--	---------------

## Accessories

### Accessories

#### Labeling panel

Labeling field - IB IL FIELD 2 - 2727501

Labeling field, width: 12.2 mm



---

### Plug

Inline connector - IB IL SCN-PWR IN - 2727462

Connector, for Inline power and segment terminal blocks



---

Inline connector - IB IL SCN-PWR IN-CP - 2727637

Connector, colored, for Inline power and segment terminal blocks



---

### Terminal marking

## Inline function terminal - IB IL 24 SEG-ELF-PAC - 2861409

### Accessories

Insert strip - ESL 62X10 - 0809492



Insert strip, Sheet, white, unlabeled, can be labeled with: Office printing systems: Laser printer, mounting type: insert, lettering field size: 62 x 10 mm, Number of individual labels: 72

---

Phoenix Contact 2019 © - all rights reserved  
<http://www.phoenixcontact.com>