

# Combination type 1/2 protective device - FLT 35 CTRL-4.0 - 2801635

Please be informed that the data shown in this PDF Document is generated from our Online Catalog. Please find the complete data in the user's documentation. Our General Terms of Use for Downloads are valid (<http://phoenixcontact.com/download>)



Type 1/Class I/B arrester (lightning current arrester) with encapsulated arc chopping spark gap and ignition electronics, single-channel. Voltage protection level: 4 kV. Housing width: 17.5 mm (1 HP)



## Key Commercial Data

Packing unit	1 pc
GTIN	
GTIN	4046356907651
Weight per Piece (excluding packing)	165.190 g
Custom tariff number	85363030
Country of origin	Germany

## Technical data

### Dimensions

Height	90 mm
Width	17.6 mm
Depth	65.5 mm
Horizontal pitch	1 Div.

### Ambient conditions

Degree of protection	IP20 (only when all terminal points are used)
Ambient temperature (operation)	-40 °C ... 85 °C
Ambient temperature (storage/transport)	-40 °C ... 85 °C
Altitude	≤ 2000 m (amsl (above mean sea level))
Permissible humidity (operation)	5 % ... 95 %

### General

IEC test classification	I
	T1
EN type	T1

# Combination type 1/2 protective device - FLT 35 CTRL-4.0 - 2801635

## Technical data

### General

IEC power supply system	TT
	TN-S
Mode of protection	L-PEN
Mounting type	DIN rail: 35 mm
Color	black
Housing material	PA 6.6
Degree of pollution	2
Flammability rating according to UL 94	V-0
Type	DIN rail module, one-piece
Number of positions	1
Surge protection fault message	none

### Additional descriptions

Note	100 % lightning impulse sparkover voltage (1.2/50) $\mu\text{s} \leq 1.5 \text{ kV}$
------	--

### Protective circuit

Nominal voltage $U_N$	230/400 V AC (TN)
	230/400 V AC (TT)
Nominal frequency $f_N$	50 Hz (60 Hz)
Maximum continuous operating voltage $U_C$ (L-PEN)	385 V AC
Rated load current $I_L$	80 A
Residual current $I_{PE}$	$\leq 0.5 \text{ mA}$
Standby power consumption $P_C$	$\leq 200 \text{ mVA}$
Nominal discharge current $I_n$ (8/20) $\mu\text{s}$ (L-PEN)	35 kA
Impulse discharge current (10/350) $\mu\text{s}$ (L-PEN), charge	17.5 As
Impulse discharge current (10/350) $\mu\text{s}$ (L-PEN), specific energy	306 J/ $\Omega$
Impulse discharge current (10/350) $\mu\text{s}$ (L-PEN), peak current value $I_{imp}$	35 kA
Follow current interrupt rating $I_{fi}$ (L-PEN)	3 kA (260 V AC)
	1.5 kA (385 V AC)
Short-circuit current rating $I_{SCCR}$	3 kA (260 V AC)
	1.5 kA (385 V AC)
Voltage protection level $U_p$ (L-PEN)	$\leq 4 \text{ kV}$
TOV behavior at $U_T$ (L-PEN)	440 V AC (5 s / withstand mode)
	440 V AC (120 min / withstand mode)
Response time $t_A$ (L-PEN)	$\leq 100 \text{ ns}$
Max. backup fuse with V-type through wiring	80 A AC (gG)
Max. backup fuse with branch wiring	400 A AC (gG)

### Connection data

Connection method	Screw terminal blocks
Screw thread	M5
Tightening torque	4.5 Nm

# Combination type 1/2 protective device - FLT 35 CTRL-4.0 - 2801635

## Technical data

### Connection data

Stripping length	14.5 mm
Conductor cross section flexible	2.5 mm <sup>2</sup> ... 25 mm <sup>2</sup>
Conductor cross section solid	2.5 mm <sup>2</sup> ... 35 mm <sup>2</sup>
Conductor cross section AWG	6 ... 2

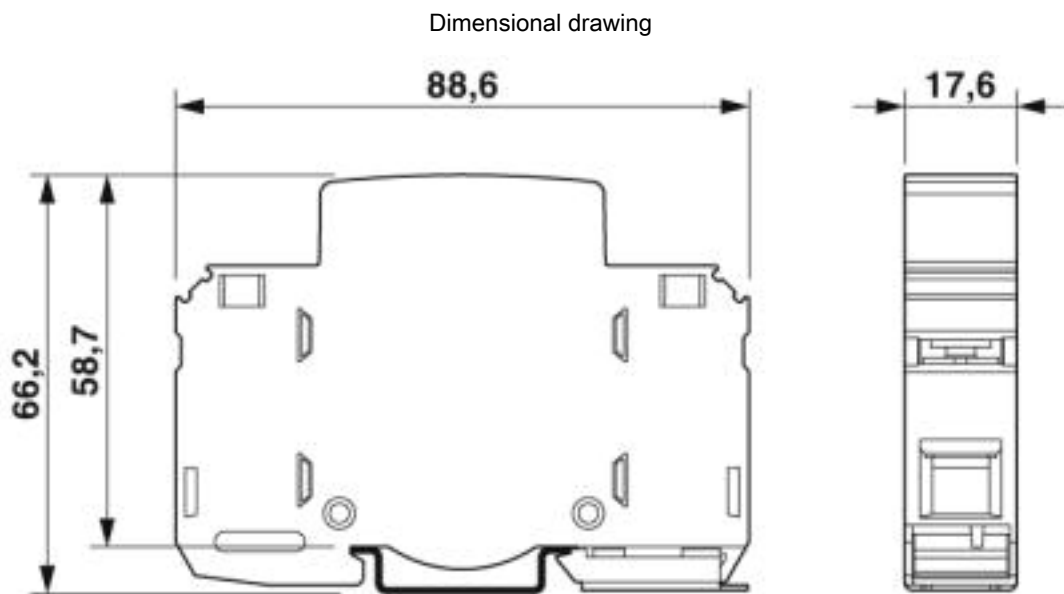
### Standards and Regulations

Standards/regulations	IEC 61643-11 2011
	EN 61643-11 2012

### Environmental Product Compliance

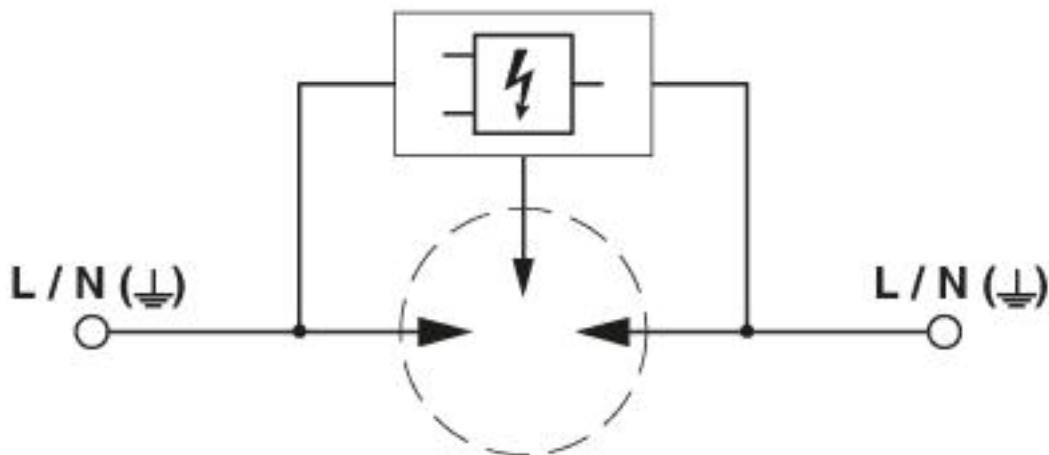
China RoHS	Environmentally friendly use period: unlimited = EFUP-e
	No hazardous substances above threshold values

## Drawings



## Combination type 1/2 protective device - FLT 35 CTRL-4.0 - 2801635

Circuit diagram



### Classifications

#### eCl@ss

eCl@ss 4.0	27130800
eCl@ss 4.1	27130800
eCl@ss 5.0	27130800
eCl@ss 5.1	27130800
eCl@ss 6.0	27130800
eCl@ss 7.0	27130802
eCl@ss 8.0	27130802
eCl@ss 9.0	27130802

#### ETIM

ETIM 3.0	EC000381
ETIM 4.0	EC000381
ETIM 5.0	EC000381
ETIM 6.0	EC000381
ETIM 7.0	EC000381

#### UNSPSC

UNSPSC 6.01	30212010
UNSPSC 7.0901	39121610
UNSPSC 11	39121610
UNSPSC 12.01	39121610
UNSPSC 13.2	39121620
UNSPSC 18.0	39121620
UNSPSC 19.0	39121620
UNSPSC 20.0	39121620
UNSPSC 21.0	39121620

## Combination type 1/2 protective device - FLT 35 CTRL-4.0 - 2801635

### Accessories

#### Accessories

#### Device marking

Zack marker strip - ZBN 18:UNBEDRUCKT - 2809128



Zack marker strip, Strip, white, unlabeled, can be labeled with: CMS-P1-PLOTTER, PLOTMARK, mounting type: snap into tall marker groove, for terminal block width: 18 mm, lettering field size: 18 x 5 mm, Number of individual labels: 5

---

#### End block

End clamp - CLIPFIX 35 - 3022218



Quick mounting end clamp for NS 35/7,5 DIN rail or NS 35/15 DIN rail, with marking option, width: 9.5 mm, color: gray

---

#### Labeled device marker

Marker for terminal blocks - ZBN 18,LGS:ERDE - 2749589



Marker for terminal blocks, Strip, white, labeled, Horizontal: Grounding symbol, mounting type: snap into tall marker groove, for terminal block width: 18 mm, lettering field size: 18 x 5 mm, Number of individual labels: 5

Marker for terminal blocks - ZBN 18,LGS:L1-N,ERDE - 2749576



Marker for terminal blocks, Strip, white, labeled, Horizontal: L1, L2, L3, N, GND, mounting type: snap into tall marker groove, for terminal block width: 18 mm, lettering field size: 18 x 5 mm, Number of individual labels: 5

---

#### Marker pen

Marker pen - B-STIFT - 1051993



Marker pen, for manual labeling of unprinted Zack strips, smear-proof and waterproof, line thickness 0.5 mm

# Combination type 1/2 protective device - FLT 35 CTRL-4.0 - 2801635

## Accessories

---

---

Phoenix Contact 2019 © - all rights reserved  
<http://www.phoenixcontact.com>