

Front adapters - FLKM 50-PA/SC/DIO/S7-1500 - 2907383

Please be informed that the data shown in this PDF Document is generated from our Online Catalog. Please find the complete data in the user's documentation. Our General Terms of Use for Downloads are valid (<http://phoenixcontact.com/download>)



VARIOFACE front adapter with screw connection, for SIMATIC® S7-1500 digital 35 mm modules, 1x 32 channels can be connected.

Key Commercial Data

Packing unit	1 pc
GTIN	
GTIN	4055626256542
Weight per Piece (excluding packing)	92.600 g
Custom tariff number	85369010
Country of origin	Romania

Technical data

Dimensions

Width	25.4 mm
Height	130.5 mm
Depth	45.5 mm

Ambient conditions

Ambient temperature (operation)	-25 °C ... 60 °C
Ambient temperature (storage/transport)	-40 °C ... 70 °C
Degree of protection	IP20

General

Max. permissible operating voltage	< 50 V DC
Max. permissible current	1 A (per path)
Max. permissible total current	2 A (per byte when supplying from the module side)
	12 A (When supplying via the front adapter)
Nominal operating mode	100% operating factor

Front adapters - FLKM 50-PA/SC/DIO/S7-1500 - 2907383

Technical data

Standards and Regulations

Standards/regulations	IEC 61131-2
Rated surge voltage	0.5 kV
Pollution degree	2
Overvoltage category	II

Connection data

Connection name	Field level
Connection method	IDC/FLK pin strip
Number of connections	1
Number of positions	50
Pitch	2.54 mm

Connection data 2

Connection name	Supply
Connection method	Screw connection
Torque	0.4 Nm

Supported controller

Controller	SIEMENS S7-1500
- suitable I/O card	6ES7 521-1BL00-0AB0
	6ES7 522-1BL00-0AB0
	6ES7 522-1BL01-0AB0

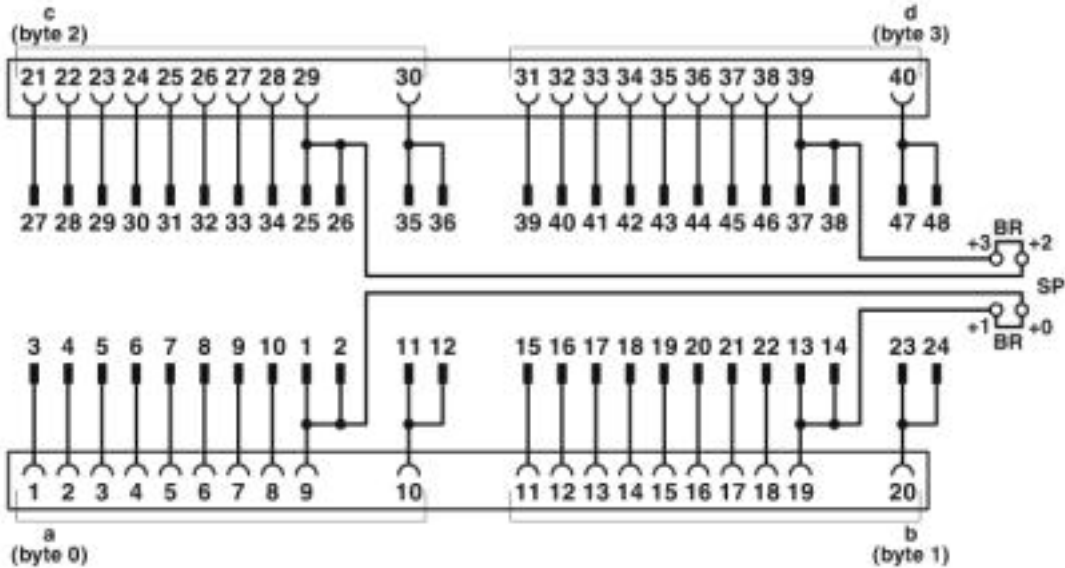
Environmental Product Compliance

China RoHS	Environmentally Friendly Use Period = 50
	For details about hazardous substances go to tab "Downloads", Category "Manufacturer's declaration"

Drawings

Front adapters - FLKM 50-PA/SC/DIO/S7-1500 - 2907383

Circuit diagram



Connection scheme for FLKM 50-PA/.../DIO/S7-1500

Classifications

eCI@ss

eCI@ss 5.0	27249290
eCI@ss 5.1	27249290
eCI@ss 6.0	27249200
eCI@ss 7.0	27249290
eCI@ss 8.0	27249290
eCI@ss 9.0	27242292

ETIM

ETIM 4.0	EC002584
ETIM 5.0	EC002584
ETIM 6.0	EC002584
ETIM 7.0	EC002584

UNSPSC

UNSPSC 13.2	32151601
UNSPSC 18.0	32151601
UNSPSC 19.0	32151601
UNSPSC 20.0	32151601
UNSPSC 21.0	32151601

Approvals

Approvals

Front adapters - FLKM 50-PA/SC/DIO/S7-1500 - 2907383

Approvals

Approvals

UL Listed / cUL Listed / EAC / cULus Listed

Ex Approvals

Approval details

UL Listed		http://database.ul.com/cgi-bin/XYV/template/LISEXT/1FRAME/index.htm	FILE E 238705
-----------	--	-------------------------------------------------------------------------------------------------------------------------------------------------------	---------------

cUL Listed		http://database.ul.com/cgi-bin/XYV/template/LISEXT/1FRAME/index.htm	FILE E 238705
------------	--	-------------------------------------------------------------------------------------------------------------------------------------------------------	---------------

EAC			RU C- DE.A*30.B00767
-----	--	--	-------------------------

cULus Listed			
--------------	--	--	--

Accessories

Accessories

Controller board

Passive module - VIP-2/SC/FLK50/PLC - 2315227



VARIOFACE interface module for 32 channels

Passive module - VIP-2/PT/FLK50/PLC - 2903803



VARIOFACE interface module, with push-in connection, for 32 channels

Front adapters - FLKM 50-PA/SC/DIO/S7-1500 - 2907383

Accessories

Passive module - VIP-2/SC/FLK50/LED/PLC - 2322252



VARIOFACE interface module, with LED, for 32 channels

Passive module - VIP-2/PT/FLK50/LED/PLC - 2904280



VARIOFACE interface module, with push-in connection and light indicator, for 32 channels

Passive module - FLKMS 50/32IM/LA/PLC - 2284510



VARIOFACE sensor module, for connecting 32 p-n-p sensors, with LED

Passive module - VIP-2/SC/FLK14/PLC - 2315214



VARIOFACE interface module for 8 channels

Passive module - VIP-2/PT/FLK14/PLC - 2903801



VARIOFACE interface module, with push-in connection for 8 channels

Front adapters - FLKM 50-PA/SC/DIO/S7-1500 - 2907383

Accessories

System connection - PLC-V8/FLK14/OUT - 2295554



V8 adapter for 8 x PLC-INTERFACE (6.2 mm), controller: PLC system cabling of output cards, connection 1: Screw connection 1x, connection 2: IDC/FLK pin strip 1x 14-position, connection 3: Plug connection (Can be snapped onto 8x PLC-INTERFACE terminals), number of channels: 8, control logic: positive switching

System connection - PLC-V8/FLK14/IN - 2296553



V8 adapter for 8 x PLC-INTERFACE (6.2 mm), controller: PLC system cabling of input cards, connection 1: Screw connection 1x, connection 2: IDC/FLK pin strip 1x 14-position, connection 3: Plug connection (Can be snapped onto 8x PLC-INTERFACE terminals), number of channels: 8, control logic: positive switching

System connection - PLC-V8L/FLK14/OUT - 2299660



V8 adapter for 8 x PLC-INTERFACE (14 mm), controller: PLC system cabling of output cards, connection 1: Screw connection 1x, connection 2: IDC/FLK pin strip 1x 14-position, connection 3: Plug connection (Can be snapped onto 8x PLC-INTERFACE terminals), number of channels: 8, control logic: positive switching

Interface module

Interface module - FLKM 50/KDS3-MT/PPA/S7-1500 - 2909893



VARIOFACE termination board for Siemens SIMATIC® S7-1500, with SIMATIC®-specific marking (1 - 40), knife disconnect terminal block, and test point

System cable

Cable - FLK 50/EZ-DR/ 100/KONFEK - 2289078



Round cable set; connection 1: IDC/FLK socket strip (1x 50-position); connection 2: IDC/FLK socket strip (1x 50-position); cable length: 1 m

Front adapters - FLKM 50-PA/SC/DIO/S7-1500 - 2907383

Accessories

Cable - FLK 50/EZ-DR/ 200/KONFEK - 2289094



Round cable set; connection 1: IDC/FLK socket strip (1x 50-position); connection 2: IDC/FLK socket strip (1x 50-position); cable length: 2 m

Cable - FLK 50/EZ-DR/ 300/KONFEK - 2289117



Round cable set; connection 1: IDC/FLK socket strip (1x 50-position); connection 2: IDC/FLK socket strip (1x 50-position); cable length: 3 m

Cable - FLK 50/EZ-DR/ 400/KONFEK - 2289133



Round cable set; connection 1: IDC/FLK socket strip (1x 50-position); connection 2: IDC/FLK socket strip (1x 50-position); cable length: 4 m

Cable - FLK 50/EZ-DR/ 500/KONFEK - 2289586



Round cable set; connection 1: IDC/FLK socket strip (1x 50-position); connection 2: IDC/FLK socket strip (1x 50-position); cable length: 5 m

Cable - FLK 50/EZ-DR/ 100/KONFEK/S - 2299107



Assembled shielded round cable; connection 1: IDC/FLK socket strip (1x 50-position); connection 2: IDC/FLK socket strip (1x 50-position) (The braided shield is routed to a separate cable end.); cable length: 1 m

Front adapters - FLKM 50-PA/SC/DIO/S7-1500 - 2907383

Accessories

Cable - FLK 50/EZ-DR/ 200/KONFEK/S - 2299123



Assembled shielded round cable; connection 1: IDC/FLK socket strip (1x 50-position); connection 2: IDC/FLK socket strip (1x 50-position) (The braided shield is routed to a separate cable end.); cable length: 2 m

Cable - FLK 50/EZ-DR/ 300/KONFEK/S - 2299136



Assembled shielded round cable; connection 1: IDC/FLK socket strip (1x 50-position); connection 2: IDC/FLK socket strip (1x 50-position) (The braided shield is routed to a separate cable end.); cable length: 3 m

Cable - FLK 50/EZ-DR/ 400/KONFEK/S - 2299149



Assembled shielded round cable; connection 1: IDC/FLK socket strip (1x 50-position); connection 2: IDC/FLK socket strip (1x 50-position) (The braided shield is routed to a separate cable end.); cable length: 4 m

Cable - CABLE-FLK50/0,14/HF/ 1,0M - 2314147



Assembled, halogen-free round cable; connection 1: IDC/FLK socket strip (1x 50-position); connection 2: IDC/FLK socket strip (1x 50-position); cable length: 1 m

Cable - CABLE-FLK50/0,14/HF/ 2,0M - 2314163



Assembled, halogen-free round cable; connection 1: IDC/FLK socket strip (1x 50-position); connection 2: IDC/FLK socket strip (1x 50-position); cable length: 2 m

Front adapters - FLKM 50-PA/SC/DIO/S7-1500 - 2907383

Accessories

Cable - CABLE-FLK50/0,14/HF/ 3,0M - 2314189



Assembled, halogen-free round cable; connection 1: IDC/FLK socket strip (1x 50-position); connection 2: IDC/FLK socket strip (1x 50-position); cable length: 3 m

Cable - CABLE-FLK50/0,14/HF/ 4,0M - 2314192



Assembled, halogen-free round cable; connection 1: IDC/FLK socket strip (1x 50-position); connection 2: IDC/FLK socket strip (1x 50-position); cable length: 4 m

Cable - CABLE-FLK50/0,14/HF/ 5,0M - 2314202



Assembled, halogen-free round cable; connection 1: IDC/FLK socket strip (1x 50-position); connection 2: IDC/FLK socket strip (1x 50-position); cable length: 5 m

Cable - FLK 50/4X14/EZ-DR/ 100/KONFEK - 2296692



Round cable set; connection 1: IDC/FLK socket strip (1x 50-position); connection 2: IDC/FLK socket strip (4x 14-position); cable length: 1 m

Cable - FLK 50/4X14/EZ-DR/ 200/KONFEK - 2296715



Round cable set; connection 1: IDC/FLK socket strip (1x 50-position); connection 2: IDC/FLK socket strip (4x 14-position); cable length: 2 m

Front adapters - FLKM 50-PA/SC/DIO/S7-1500 - 2907383

Accessories

Cable - FLK 50/4X14/EZ-DR/ 300/KONFEK - 2296728



Round cable set; connection 1: IDC/FLK socket strip (1x 50-position); connection 2: IDC/FLK socket strip (4x 14-position); cable length: 3 m

Cable - FLK 50/4X14/EZ-DR/ 400/KONFEK - 2296731



Round cable set; connection 1: IDC/FLK socket strip (1x 50-position); connection 2: IDC/FLK socket strip (4x 14-position); cable length: 4 m
