

Passive module - UM 45-FLK50/32IM/ZFKDS/PLC - 2965224

Please be informed that the data shown in this PDF Document is generated from our Online Catalog. Please find the complete data in the user's documentation. Our General Terms of Use for Downloads are valid (<http://phoenixcontact.com/download>)




VARIOFACE COMPACT LINE, sensor module for the connection of 32 p-n-p sensors, for assembly on DIN rail NS 35/7.5, spring-cage connection

Your advantages

- Can be used for digital I/O modules
- Positive and negative connection per signal
- Byte-by-byte labeling



Key Commercial Data

Packing unit	1 pc
GTIN	 4 017918 125202
GTIN	4017918125202
Weight per Piece (excluding packing)	258.980 g
Custom tariff number	85369010
Country of origin	Germany

Technical data

Dimensions

Width	195 mm
Height	45 mm
Depth	61 mm

Ambient conditions

Ambient temperature (operation)	-20 °C ... 50 °C
Ambient temperature (storage/transport)	-20 °C ... 70 °C
Degree of protection	IP00

General

Nominal voltage U_N	60 V DC
-----------------------	---------

Passive module - UM 45-FLK50/32IM/ZFKDS/PLC - 2965224

Technical data

General

Max. perm. current (per branch)	1 A
Max. permissible current (separate power supply)	2 A (per byte)
Number of positions	50
Status display	No
Mounting position	any

Connection data

Connection name	Field level
Connection method	Spring-cage connection
Stripping length	8 mm
Conductor cross section solid	0.2 mm ² ... 2.5 mm ²
Conductor cross section flexible	0.2 mm ² ... 1.5 mm ²
Conductor cross section AWG	24 ... 14

Connection data 2

Connection name	Controller level
Connection method	IDC/FLK pin strip
Number of connections	1
Number of positions	50
Pitch	2.54 mm

Supported controller

Controller	SIEMENS S7-400
- suitable I/O card	6ES7 421-1BL01-0AA0
	6ES7 422-1BL00-0AA0
	6ES7 422-7BL00-0AB0
Controller	ALLEN-BRADLEY ControlLogix
- suitable I/O card	1756-IB32
	1756-OB32
Controller	ALLEN-BRADLEY PLC 5
- suitable I/O card	1771 IBN
	1771 OBN
Controller	HONEYWELL Experion PKS C200
- suitable I/O card	TC-IDD 321
	TC-ODD 321
Controller	MITSUBISHI MELSEC L
- suitable I/O card	LX41C4
	LX42C4
	LY41NT1P
	LY42NT1P
	LY41PT1P
	LY42PT1P

Passive module - UM 45-FLK50/32IM/ZFKDS/PLC - 2965224

Technical data

Supported controller

Controller	MITSUBISHI MELSEC Q
- suitable I/O card	QX81
	QY81P
	QX41
	QX41-S1
	QX42
	QX42-S1
	QX71
	QX72
	QY41P
	QY42P
	QY71
	QH42P
	QX82
	QX82-S1
	QY82P
Controller	Schneider Electric Modicon TSX QUANTUM
- suitable I/O card	DDI 353
	DDI 853
	DAI 353
	DAI 453
	DDO 353
Controller	SIEMENS S7-300 / ET 200 M
- suitable I/O card	CPU 313C-2DP
	CPU 314C-2DP
	CPU 314C-2PtP
	6ES7 321-1BL00-0AA0
	6ES7 322-1BL00-0AA0
	6ES7 323-1BL00-0AA0
	CPU 313C
	CPU 313C-2PtP
Controller	GE-FANUC RX3i
- suitable I/O card	IC694MDL754
	IC694MDL660

Standards and Regulations

Standards/regulations	DIN EN 50178
	IEC 60664
Rated insulation voltage	63 V
Rated surge voltage	0.6 kV
Insulation	Functional insulation

Passive module - UM 45-FLK50/32IM/ZFKDS/PLC - 2965224

Technical data

Standards and Regulations

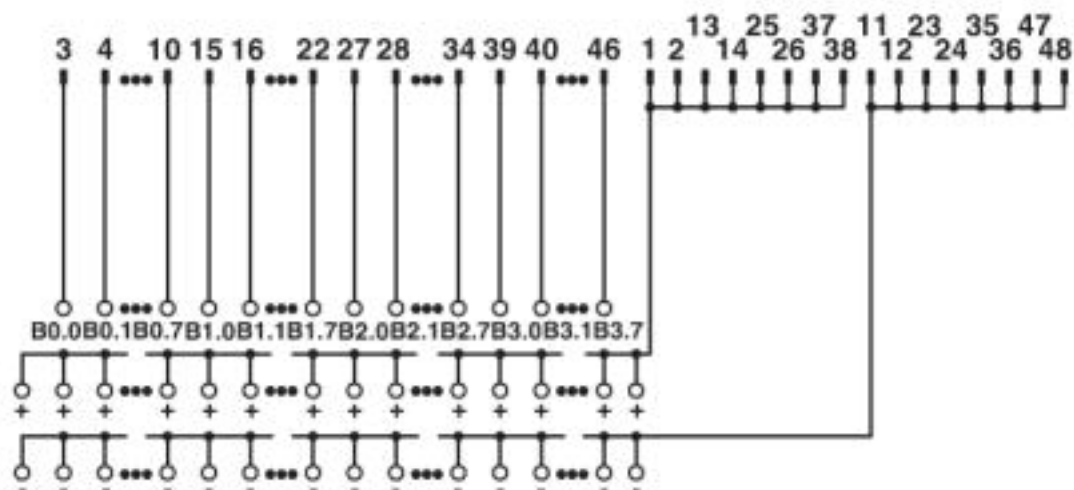
Pollution degree	2
Overvoltage category	II

Environmental Product Compliance

China RoHS	Environmentally Friendly Use Period = 50
	For details about hazardous substances go to tab "Downloads", Category "Manufacturer's declaration"

Drawings

Circuit diagram



UM 45-FLK50/32IM/ZFKDS/PLC connection scheme

Classifications

eCl@ss

eCl@ss 4.0	27250300
eCl@ss 4.1	27250300
eCl@ss 5.0	27371600
eCl@ss 5.1	27371600
eCl@ss 6.0	27371600
eCl@ss 7.0	27141152
eCl@ss 8.0	27141152
eCl@ss 9.0	27141152

ETIM

ETIM 5.0	EC002780
ETIM 6.0	EC002780
ETIM 7.0	EC002780

Passive module - UM 45-FLK50/32IM/ZFKDS/PLC - 2965224

Classifications

UNSPSC

UNSPSC 6.01	30211824
UNSPSC 7.0901	39121421
UNSPSC 11	39121421
UNSPSC 12.01	39121421
UNSPSC 13.2	39121432
UNSPSC 18.0	39121432
UNSPSC 19.0	39121432
UNSPSC 20.0	39121432
UNSPSC 21.0	39121432

Approvals

Approvals

Approvals

EAC

Ex Approvals

Approval details

EAC		RU C- DE.A*30.B.01742
-----	---	--------------------------
