

## Philips screwdriver - SZK PZ0 VDE - 1206447

Please be informed that the data shown in this PDF Document is generated from our Online Catalog. Please find the complete data in the user's documentation. Our General Terms of Use for Downloads are valid (<http://phoenixcontact.com/download>)




Screwdriver, PZ crosshead, VDE insulated, size: PZ 0 x 80 mm, 2-component grip, with non-slip grip

### Your advantages

- VDE approval
- Screwdrivers for Phillips screws with Pozidriv and Phillips Recess screw head

### Key Commercial Data

Packing unit	10 pc
GTIN	 4 017918 170905
GTIN	4017918170905
Weight per Piece (excluding packing)	33.770 g
Custom tariff number	82054000
Country of origin	Czech Republic
Note	Made to Order (non-returnable)

### Technical data

#### Dimensions

Length (b)	161 mm
Width (a)	26 mm
Blade width	3 mm
Blade height	80 mm
Wrench size	0 mm

#### General

Type	Phillips
	straight
Material	alloyed tool steel
Test standard	DIN/ISO 8764-1 PZ IEC 60900:2004
Weight	30 g

#### Standards and Regulations

Test standard	DIN/ISO 8764-1 PZ IEC 60900:2004
---------------	----------------------------------

# Philips screwdriver - SZK PZ0 VDE - 1206447

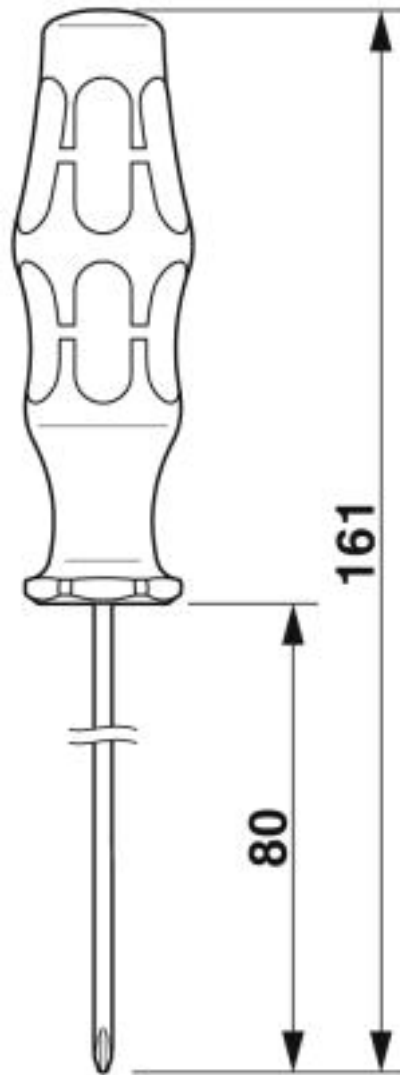
## Technical data

### Environmental Product Compliance

California Proposition 65	Further information on California's prop. 65 is available under "Downloads" in the manufacturer's declaration
---------------------------	---

## Drawings

Dimensional drawing



## Philips screwdriver - SZK PZ0 VDE - 1206447

Pictogram



### Classifications

eCl@ss

eCl@ss 10.0.1	21040406
eCl@ss 4.0	21040400
eCl@ss 4.1	21040400
eCl@ss 5.0	21040400
eCl@ss 5.1	21040400
eCl@ss 6.0	21040400
eCl@ss 7.0	21040406
eCl@ss 8.0	21040406
eCl@ss 9.0	21040406

# Philips screwdriver - SZK PZ0 VDE - 1206447

## Classifications

### ETIM

ETIM 2.0	EC000144
ETIM 3.0	EC000144
ETIM 4.0	EC000144
ETIM 5.0	EC000144
ETIM 6.0	EC000144
ETIM 7.0	EC000144

### UNSPSC

UNSPSC 6.01	27111701
UNSPSC 7.0901	27111701
UNSPSC 11	27111701
UNSPSC 12.01	27111701
UNSPSC 13.2	27111701
UNSPSC 18.0	27111701
UNSPSC 19.0	27111701
UNSPSC 20.0	27111701
UNSPSC 21.0	27111701

## Approvals

### Approvals

#### Approvals

VDE Zeichengenehmigung / EAC

#### Ex Approvals

### Approval details

VDE Zeichengenehmigung		<a href="http://www2.vde.com/de/Institut/Online-Service/VDE-gepruefteProdukte/Seiten/Online-Suche.aspx">http://www2.vde.com/de/Institut/Online-Service/VDE-gepruefteProdukte/Seiten/Online-Suche.aspx</a>	086858
------------------------	--	---	--------

EAC		RU x- DE.xx08.B.02974
-----	--	--------------------------