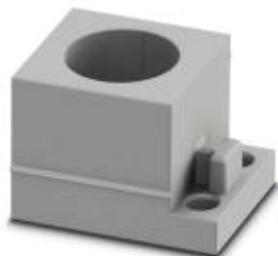


## Cable sleeve - CES-STPG-GY-15 - 1410521

Please be informed that the data shown in this PDF Document is generated from our Online Catalog. Please find the complete data in the user's documentation. Our General Terms of Use for Downloads are valid (<http://phoenixcontact.com/download>)



Cable sleeve, no. of conductors: 1, length: 29.5 mm, width: 19.5 mm, height: 17 mm, external cable diameter: 1x 13.9 mm ... 14.2 mm , color: gray

### Product Description

Slotted cable sleeve



### Key Commercial Data

|                                      |   |
|--------------------------------------|---|
| Packing unit                         | 10 pc   |
| Minimum order quantity               | 10 pc   |
| GTIN                                 | <br>4 046356 797030 |
| GTIN                                 | 4046356797030   |
| Weight per Piece (excluding packing) | 5.180 g   |
| Custom tariff number                 | 85472000  |
| Country of origin                    | Poland  |

### Technical data

#### Dimensions

|                         |                        |
|-------------------------|------------------------|
| External cable diameter | 1x 13.9 mm ... 14.2 mm |
| Length                  | 29.5 mm                |
| Width                   | 19.5 mm                |
| Height                  | 17 mm                  |

#### Ambient conditions

|                                 |                           |
|---------------------------------|---------------------------|
| Degree of protection            | IP54                      |
| Ambient temperature (operation) | -40 °C ... 80 °C (static) |

#### General

|                   |                     |
|-------------------|---------------------|
| No. of conductors | 1                   |
| Material          | SEBS                |
|                   | SEBS (halogen-free) |

# Cable sleeve - CES-STPG-GY-15 - 1410521

## Technical data

### General

|  |      |
|--|------|
| Flammability rating according to UL 94 | V0   |
| Color                                  | gray |

### Standards and Regulations

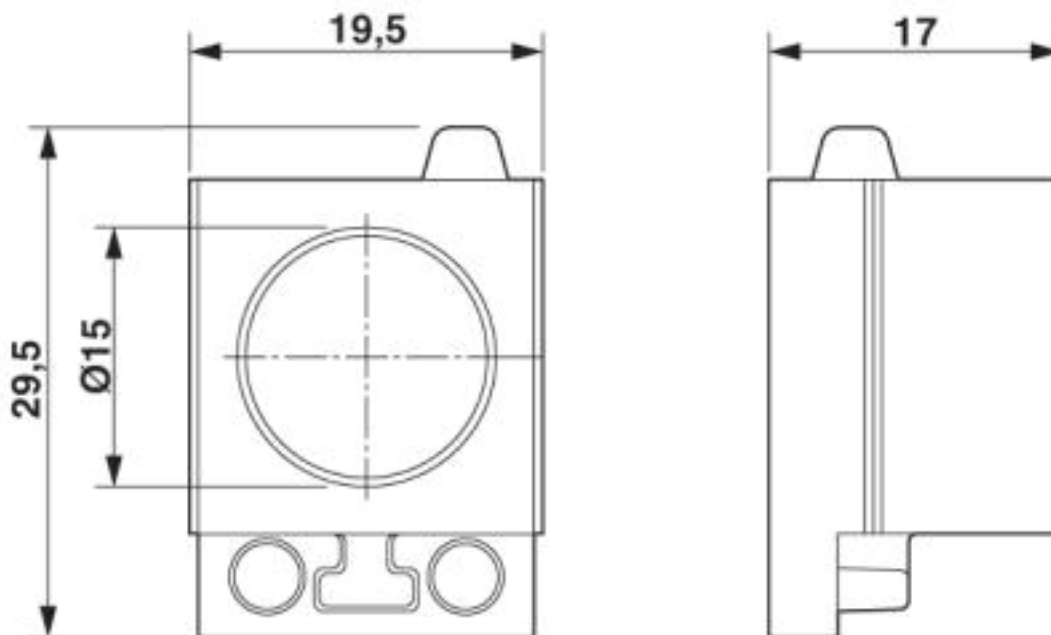
|  |    |
|--|----|
| Flammability rating according to UL 94 | V0 |
|--|----|

### Environmental Product Compliance

|            |   |
|------------|---|
| China RoHS | Environmentally friendly use period: unlimited = EFUP-e |
|            | No hazardous substances above threshold values          |

## Drawings

Dimensional drawing



Dimensional drawing

## Classifications

### eCl@ss

|               |          |
|---------------|----------|
| eCl@ss 10.0.1 | 27144425 |
| eCl@ss 4.0    | 27081000 |
| eCl@ss 4.1    | 27081000 |
| eCl@ss 5.0    | 27081000 |
| eCl@ss 5.1    | 27081000 |
| eCl@ss 6.0    | 27081000 |
| eCl@ss 7.0    | 27069220 |

# Cable sleeve - CES-STPG-GY-15 - 1410521

## Classifications

### eCl@ss

|            |          |
|------------|----------|
| eCl@ss 8.0 | 27069220 |
| eCl@ss 9.0 | 27144425 |

### ETIM

|          |          |
|----------|----------|
| ETIM 3.0 | EC000879 |
| ETIM 4.0 | EC002498 |
| ETIM 5.0 | EC000451 |
| ETIM 6.0 | EC000451 |
| ETIM 7.0 | EC000451 |

### UNSPSC

|               |          |
|---------------|----------|
| UNSPSC 6.01   | 30212109 |
| UNSPSC 7.0901 | 39121708 |
| UNSPSC 11     | 39121708 |
| UNSPSC 12.01  | 39121708 |
| UNSPSC 13.2   | 39121448 |
| UNSPSC 18.0   | 39121448 |
| UNSPSC 19.0   | 39121448 |
| UNSPSC 20.0   | 39121448 |
| UNSPSC 21.0   | 39121448 |

## Approvals

### Approvals

---

Approvals

GL

---

Ex Approvals

---

### Approval details

|    |  |   |            |
|----|--|---|------------|
| GL |  | <a href="https://approvalfinder.dnvgl.com/">https://approvalfinder.dnvgl.com/</a> | 1391415 HH |
|----|--|---|------------|