

Cable gland - G-ESS-M25-M66L-NTES-S - 1411077

Please be informed that the data shown in this PDF Document is generated from our Online Catalog. Please find the complete data in the user's documentation. Our General Terms of Use for Downloads are valid (<http://phoenixcontact.com/download>)



Cable gland, cable gland material: Nickel-plated brass, application: Ex, external cable diameter 11.1 mm ... 20 mm, shielding: no, connecting thread: M25 x 1.5, color: silver

Product Description

Cable gland, for unarmored cables

Your advantages

- Weatherproof sealing material



Key Commercial Data

Packing unit	20 pc
Minimum order quantity	20 pc
GTIN	
GTIN	4046356921916
Weight per Piece (excluding packing)	114.120 g
Custom tariff number	74199990
Country of origin	United Kingdom

Technical data

Dimensions

Length	41 mm
Thread pitch	1.5 mm
Wrench size, union nut	36 mm
Wrench size, support	36 mm
Hexagon angular dimension	39.6 mm
Length of the connecting thread	15 mm
External cable diameter	11.1 mm ... 20 mm
Cable types that can be used	for unarmored cables

Ambient conditions

Cable gland - G-ESS-M25-M66L-NTES-S - 1411077

Technical data

Ambient conditions

Degree of protection (IP)	IP66 (using the corresponding A-SEW-...P-W flat gasket)
	IP67 (using the corresponding A-SEW-...P-W flat gasket)
	IP68 (using the corresponding A-SEW-...P-W flat gasket)
Ambient temperature (operation)	-60 °C ... 130 °C (static)

General

Cable gland material	Nickel-plated brass
Cable seal material	EPDM
Thread type connection side	M25 x 1.5
Color	silver
Impact energy	20.00 J
Assembly instructions	Sealed to IP66/IP67/IP68 thanks to the use of the A-SEW-25-P-W flat gasket (item 1411284)
Standards/specifications	EN 60079-0, -1, -7, -15, -31
	IEC 60079-0, -1, -7, -15, -31
	EN 50262
	BS 6121: Part 1:1989
	IEC 62444
Manufacturer	CMP
Manufacturer product number	25A2F1RA5
Manufacturer Designation	25 A2F N. PLTD GLAND
Suited for EX-applications	yes

Standards and Regulations

Standards/regulations	EN 60079-0, -1, -7, -15, -31
	IEC 60079-0, -1, -7, -15, -31
	EN 50262
	BS 6121: Part 1:1989
	IEC 62444
ATEX	Sira 13ATEX1068X
	Sira 13ATEX4074X
	Ex II 2/3G, II 1D, Ex d IIC Gb, Ex e IIC Gb, Ex nR IIC Gc, Ex ta IIIC Da, Ex IM2 Ex d I Mb, Ex e I Mb
IECEX	IECEX SIR 13.0023X
	Ex d IIC Gb, Ex e IIC Gb, Ex nR IIC Gc, Ex ta IIIC Da, Ex d I Mb, Ex e I Mb

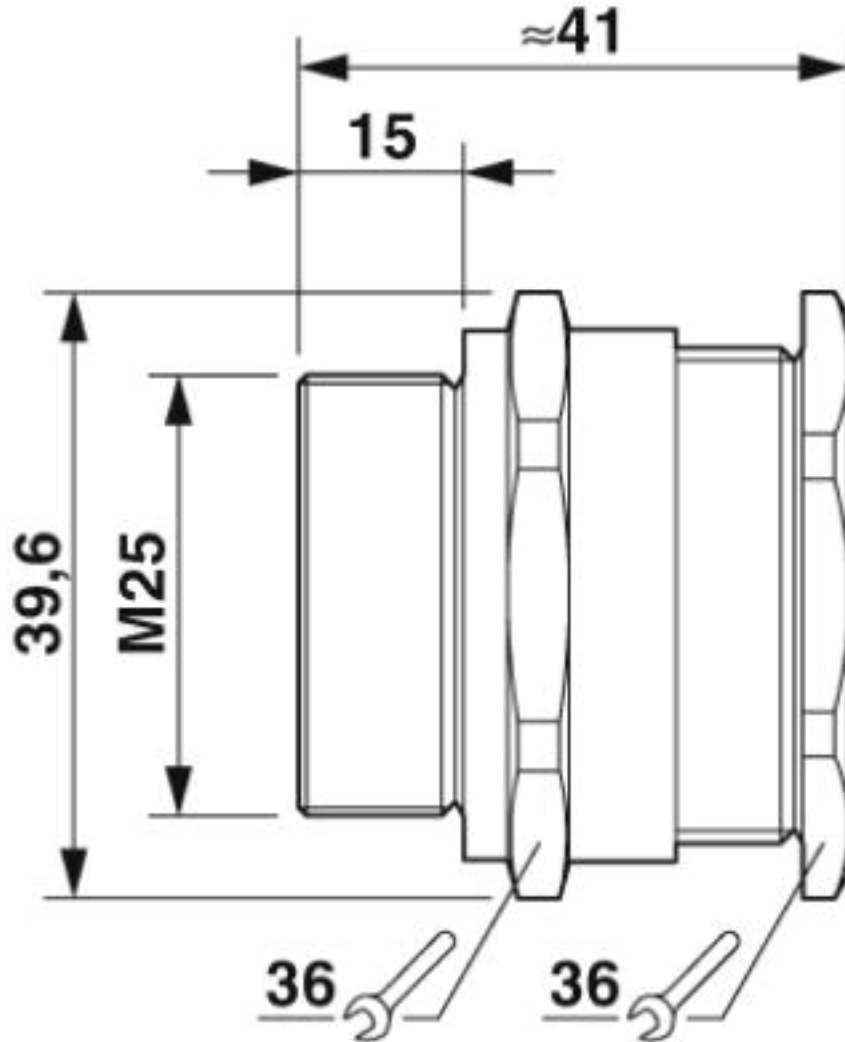
Environmental Product Compliance

China RoHS	Environmentally friendly use period: unlimited = EFUP-e
	No hazardous substances above threshold values

Drawings

Cable gland - G-ESS-M25-M66L-NTES-S - 1411077

Dimensional drawing



Dimensional drawing

Classifications

eCl@ss

eCl@ss 4.0	27141200
eCl@ss 4.1	27141200
eCl@ss 5.0	27149100
eCl@ss 5.1	27149100
eCl@ss 6.0	27149100
eCl@ss 7.0	27149109
eCl@ss 8.0	27149109
eCl@ss 9.0	27144432

Cable gland - G-ESS-M25-M66L-NTES-S - 1411077

Classifications

ETIM

ETIM 4.0	EC000441
ETIM 5.0	EC000441
ETIM 6.0	EC000441
ETIM 7.0	EC000441

UNSPSC

UNSPSC 13.2	39121311
UNSPSC 18.0	39121311
UNSPSC 19.0	39121311
UNSPSC 20.0	39121311
UNSPSC 21.0	39121311

Accessories

Accessories

Flat nut

Counter nut - A-INL-M25-N-S - 1411243



Counter nut, material: Brass, nickel-plated, for threads M25 x 1.5, color: silver

Seal

Flat gasket - A-SEW-25-P-W - 1411284



Flat gasket, material: Nylon, for threads M25, color: white