

## Cable gland - G-INSEC-M16-S68N-NCRS-S - 1411188


Please be informed that the data shown in this PDF Document is generated from our Online Catalog. Please find the complete data in the user's documentation. Our General Terms of Use for Downloads are valid (<http://phoenixcontact.com/download>)



Cable gland, cable gland material: Nickel-plated brass, external cable diameter 5 mm ... 9 mm, shielding: yes, connecting thread: M16 x 1.5, color: silver, with O-ring



### Key Commercial Data

|                                      |   |
|--------------------------------------|---|
| Packing unit                         | 10 pc   |
| Minimum order quantity               | 10 pc   |
| GTIN                                 | <br>4 046356 923194 |
| GTIN                                 | 4046356923194   |
| Weight per Piece (excluding packing) | 20.850 g  |
| Custom tariff number                 | 74199990  |
| Country of origin                    | Germany   |

### Technical data

#### Dimensions

|                                 |                     |
|---------------------------------|---------------------|
| Length                          | 30 mm               |
| Wrench size, union nut          | 17 mm               |
| Wrench size, support            | 17 mm               |
| Hexagon angular dimension       | 19 mm               |
| Length of the connecting thread | 5 mm                |
| Feed-through hole diameter      | 16.1 mm ... 16.2 mm |
| External cable diameter         | 5 mm ... 9 mm       |

#### Ambient conditions

|                                 |                            |
|---------------------------------|----------------------------|
| Degree of protection (IP)       | IP68 (5 bar, 30 minutes)   |
| Ambient temperature (operation) | -40 °C ... 100 °C (static) |

#### General

# Cable gland - G-INSEC-M16-S68N-NCRS-S - 1411188

## Technical data

### General

|                                |   |
|--------------------------------|---|
| No. of conductors              | 1   |
| Cable gland material           | Nickel-plated brass   |
| Material, insert               | Polyamide 6   |
| Cable seal material            | CR/NBR  |
| O-ring material                | Perbunan  |
| Shielded                       | yes   |
| Thread type on connection side | M16 x 1.5   |
| Torque                         | 3.5 Nm (Union nut: EN 62444)<br>3.5 Nm (Support: EN 62444)  |
| Color                          | silver  |
| Impact category                | 6   |
| Execution of the strain relief | A   |
| Connection                     | <p>Method 1<br/>Cut the outer sheath, but do not remove it. Feed the cable through the screw connection and then remove the outer sheath. Now pull the cable back until the connection is established between the cable shield and the contact spring.</p> <p>Method 2<br/>Push the braided shield back around 15 ... 20 mm over the outer sheath. Insert the cables into the screw connection until the connection is established between the cable shield and the contact spring.</p> |
| Manufacturer                   | Jacob   |
| Manufacturer Designation       | 50.616 M/EMVD   |

### Standards and Regulations

|                                  |     |
|----------------------------------|-----|
| Halogen-free                     | no  |
| Connection in acc. with standard | CUL |

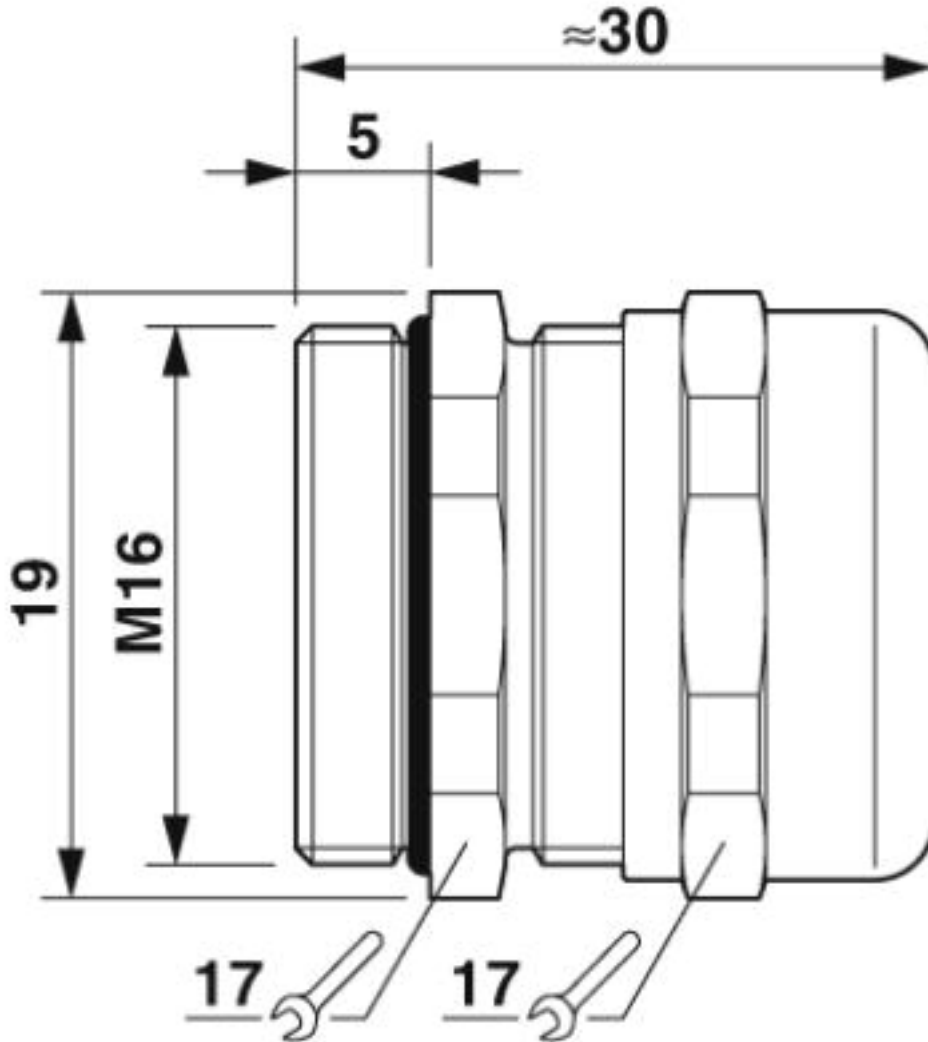
### Environmental Product Compliance

|            |   |
|------------|---|
|            | Lead 7439-92-1  |
| China RoHS | Environmentally Friendly Use Period = 50  |
|            | For details about hazardous substances go to tab "Downloads", Category "Manufacturer's declaration" |

## Drawings

# Cable gland - G-INSEC-M16-S68N-NCRS-S - 1411188

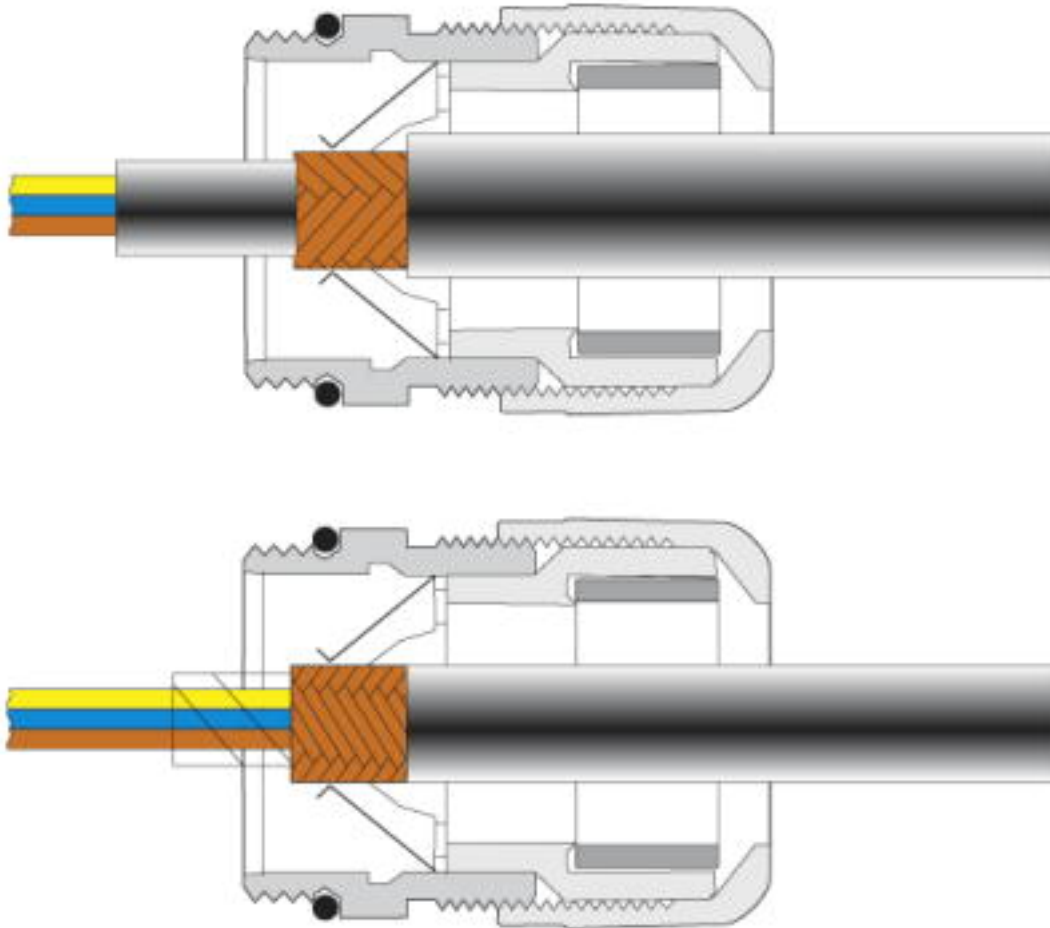
Dimensional drawing



Dimensional drawing

# Cable gland - G-INSEC-M16-S68N-NCRS-S - 1411188

Functional drawing



See assembly instruction

## Classifications

eCl@ss

|            |          |
|------------|----------|
| eCl@ss 4.0 | 27141200 |
| eCl@ss 4.1 | 27141200 |
| eCl@ss 5.0 | 27149100 |
| eCl@ss 5.1 | 27149100 |
| eCl@ss 6.0 | 27149100 |
| eCl@ss 7.0 | 27149109 |
| eCl@ss 8.0 | 27149109 |
| eCl@ss 9.0 | 27144432 |

ETIM

|          |          |
|----------|----------|
| ETIM 4.0 | EC000441 |
| ETIM 5.0 | EC000441 |

# Cable gland - G-INSEC-M16-S68N-NCRS-S - 1411188

## Classifications

### ETIM

|          |          |
|----------|----------|
| ETIM 6.0 | EC000441 |
| ETIM 7.0 | EC000441 |

### UNSPSC

|             |          |
|-------------|----------|
| UNSPSC 13.2 | 39121311 |
| UNSPSC 18.0 | 39121311 |
| UNSPSC 19.0 | 39121311 |
| UNSPSC 20.0 | 39121311 |
| UNSPSC 21.0 | 39121311 |

## Approvals

### Approvals

#### Approvals

UL Listed / UL Recognized / cUL Recognized / cUL Listed / cULus Recognized / cULus Listed

#### Ex Approvals

### Approval details

|           |   |   |              |
|-----------|---|---|--------------|
| UL Listed |  | <a href="http://database.ul.com/cgi-bin/XYV/template/LISEXT/1FRAME/index.htm">http://database.ul.com/cgi-bin/XYV/template/LISEXT/1FRAME/index.htm</a> | QCRV.E140310 |
|-----------|---|---|--------------|

|               |   |   |               |
|---------------|---|---|---------------|
| UL Recognized |  | <a href="http://database.ul.com/cgi-bin/XYV/template/LISEXT/1FRAME/index.htm">http://database.ul.com/cgi-bin/XYV/template/LISEXT/1FRAME/index.htm</a> | QCRV2.E140310 |
|---------------|---|---|---------------|

|                |   |   |               |
|----------------|---|---|---------------|
| cUL Recognized |  | <a href="http://database.ul.com/cgi-bin/XYV/template/LISEXT/1FRAME/index.htm">http://database.ul.com/cgi-bin/XYV/template/LISEXT/1FRAME/index.htm</a> | QCRV8.E140310 |
|----------------|---|---|---------------|

|            |   |   |               |
|------------|---|---|---------------|
| cUL Listed |  | <a href="http://database.ul.com/cgi-bin/XYV/template/LISEXT/1FRAME/index.htm">http://database.ul.com/cgi-bin/XYV/template/LISEXT/1FRAME/index.htm</a> | QCRV7.E140310 |
|------------|---|---|---------------|

|                  |   |  |  |
|------------------|---|--|--|
| cULus Recognized |  |  |  |
|------------------|---|--|--|

## Cable gland - G-INSEC-M16-S68N-NCRS-S - 1411188

### Approvals

cULus Listed



### Accessories

#### Accessories

#### Sealing plugs

Closing cap - SEALING PLUG 8X16 RD - 1400257



Closing cap, material: PA, color: red