

Cable gland - G-INS-M12-S68N-PNES-GY - 1411123

Please be informed that the data shown in this PDF Document is generated from our Online Catalog. Please find the complete data in the user's documentation. Our General Terms of Use for Downloads are valid (<http://phoenixcontact.com/download>)




Cable gland, cable gland material: PA, external cable diameter 3 mm ... 6.5 mm, shielding: no, connecting thread: M12 x 1.5, color: silver-gray RAL 7001

Your advantages

- ✓ Plastic material conforms to UL 746C f1

Key Commercial Data

Packing unit	10 pc
Minimum order quantity	10 pc
GTIN	 4 046356 922517
GTIN	4046356922517
Weight per Piece (excluding packing)	3.580 g
Custom tariff number	39269097
Country of origin	Turkey

Technical data

Dimensions

Length	32 mm
Wrench size, union nut	15 mm
Wrench size, support	15 mm
Hexagon angular dimension	17.1 mm
Length of the connecting thread	8 mm
Feed-through hole diameter	12.1 mm ... 12.2 mm
External cable diameter	3 mm ... 6.5 mm
	3 mm ... 6.5 mm (for UL 514 B)

Ambient conditions

Degree of protection (IP)	IP68 (5 bar / 0.5 h)
	IP66

Cable gland - G-INS-M12-S68N-PNES-GY - 1411123

Technical data

Ambient conditions

Ambient temperature (operation)	-40 °C ... 100 °C (static)
---------------------------------	----------------------------

General

No. of conductors	1
Cable gland material	PA
Cable seal material	CR
Flammability rating according to UL 94	V2
Shielded	no
Thread type on connection side	M12 x 1.5
Torque	2 Nm ± ()
Color	silver-gray RAL 7001
Impact category	2
Execution of the strain relief	A
Assembly instructions	1) Mount screw connection support in the housing using the correct torque 2) Insert cable 3) Tighten union nut using the correct torque
Manufacturer	BIMED
Manufacturer Designation	BM-0S

Standards and Regulations

Halogen-free	no
Connection in acc. with standard	CSA
Flammability rating according to UL 94	V2

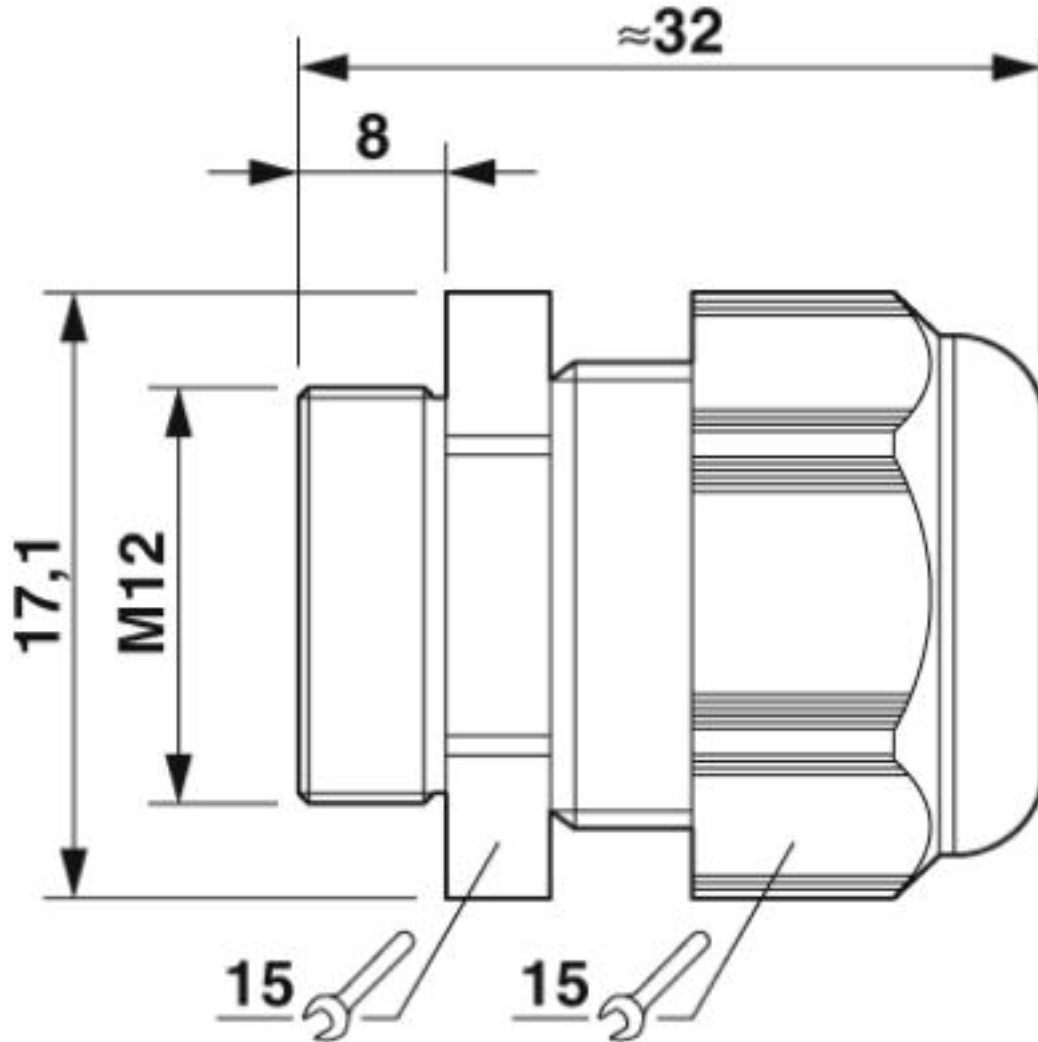
Environmental Product Compliance

China RoHS	Environmentally friendly use period: unlimited = EFUP-e
	No hazardous substances above threshold values

Drawings

Cable gland - G-INS-M12-S68N-PNES-GY - 1411123

Dimensional drawing



Dimensional drawing

Classifications

eCl@ss

eCl@ss 4.0	27141200
eCl@ss 4.1	27141200
eCl@ss 5.0	27149100
eCl@ss 5.1	27149100
eCl@ss 6.0	27149100
eCl@ss 7.0	27149109
eCl@ss 8.0	27149109
eCl@ss 9.0	27144432

Cable gland - G-INS-M12-S68N-PNES-GY - 1411123

Classifications

ETIM

ETIM 4.0	EC000441
ETIM 5.0	EC000441
ETIM 6.0	EC000441
ETIM 7.0	EC000441

UNSPSC

UNSPSC 13.2	39121311
UNSPSC 18.0	39121311
UNSPSC 19.0	39121311
UNSPSC 20.0	39121311
UNSPSC 21.0	39121311

Approvals

Approvals

Approvals

CSA / UL Recognized / cUL Recognized / VDE Zeichengenehmigung / cULus Recognized

Ex Approvals

Approval details

CSA		http://www.csagroup.org/services-industries/product-listing/	115116
UL Recognized		http://database.ul.com/cgi-bin/XYV/template/LISEXT/1FRAME/index.htm	E199260
cUL Recognized		http://database.ul.com/cgi-bin/XYV/template/LISEXT/1FRAME/index.htm	E199260
VDE Zeichengenehmigung		http://www2.vde.com/de/Institut/Online-Service/VDE-gepruefteProdukte/Seiten/Online-Suche.aspx	40024418

Cable gland - G-INS-M12-S68N-PNES-GY - 1411123

Approvals

cULus Recognized



Accessories

Accessories

Flat nut

Counter nut - A-INL-M12-P-GY - 1411205



Counter nut, material: PA, for threads M12 x 1.5, color: silver-gray RAL 7001

Sealing plugs

Closing cap - SEALING PLUG 5X12 RD - 1400253



Closing cap, material: PA, color: red