

Cable gland - G-INS-M16-T68N-PNES-BK - 1424480

Please be informed that the data shown in this PDF Document is generated from our Online Catalog. Please find the complete data in the user's documentation. Our General Terms of Use for Downloads are valid (<http://phoenixcontact.com/download>)




Cable gland, cable gland material: PA, external cable diameter 4 mm ... 8 mm, shielding: no, connecting thread: M16 x 1.5, color: jet black RAL 9005

Your advantages

- Plastic material conforms to UL 746C f1

Key Commercial Data

Packing unit	10 pc
Minimum order quantity	10 pc
GTIN	 4 055626 373102
GTIN	4055626373102
Weight per Piece (excluding packing)	6.320 g
Custom tariff number	39269097
Country of origin	Turkey

Technical data

Dimensions

Length	39 mm
Wrench size, union nut	19 mm
Wrench size, support	19 mm
Hexagon angular dimension	25 mm
Length of the connecting thread	8 mm
Feed-through hole diameter	16.1 mm ... 16.2 mm
External cable diameter	4 mm ... 8 mm
	4 mm ... 8 mm (for UL 514 B)

Ambient conditions

Degree of protection (IP)	IP68 (5 bar / 0.5 h)
	IP66

Cable gland - G-INS-M16-T68N-PNES-BK - 1424480

Technical data

Ambient conditions

Ambient temperature (operation)	-40 °C ... 100 °C (static)
---------------------------------	----------------------------

General

No. of conductors	1
Cable gland material	PA
Cable seal material	CR
Flammability rating according to UL 94	V2
	V2 (Housing)
Shielded	no
Thread type on connection side	M16 x 1.5
Torque	2.5 Nm ± ()
Color	jet black RAL 9005
Impact category	2
Execution of the strain relief	A
Assembly instructions	1) Mount screw connection support in the housing using the correct torque 2) Insert cable 3) Tighten union nut using the correct torque
Manufacturer	BIMED
Manufacturer Designation	BM-EN-21

Standards and Regulations

Flammability rating according to UL 94	V2
--	----

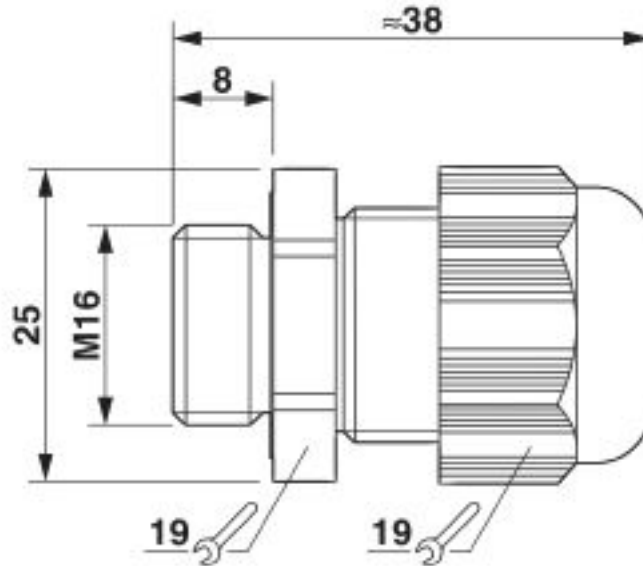
Environmental Product Compliance

China RoHS	Environmentally friendly use period: unlimited = EFUP-e
	No hazardous substances above threshold values

Drawings

Cable gland - G-INS-M16-T68N-PNES-BK - 1424480

Dimensional drawing



Dimensional drawing

Classifications

eCl@ss

eCl@ss 4.0	27141200
eCl@ss 4.1	27141200
eCl@ss 5.0	27149100
eCl@ss 5.1	27149109
eCl@ss 6.0	27149100
eCl@ss 7.0	27149109
eCl@ss 8.0	27149109
eCl@ss 9.0	27144432

ETIM

ETIM 5.0	EC000441
ETIM 6.0	EC000441
ETIM 7.0	EC000441

Approvals

Approvals

Approvals


CSA / UL Recognized


Cable gland - G-INS-M16-T68N-PNES-BK - 1424480

Approvals

Ex Approvals

Approval details

CSA		http://www.csagroup.org/services-industries/product-listing/	115116
-----	---	---	--------

UL Recognized		http://database.ul.com/cgi-bin/XYV/template/LISEXT/1FRAME/index.htm	E199260
---------------	---	---	---------

Accessories

Accessories

Flat nut

Counter nut - A-INL-M16-P-BK - 1411214



Counter nut, material: PA, for threads M16 x 1.5, color: jet black RAL 9005

Sealing plugs

Closing cap - SEALING PLUG 8X16 RD - 1400257



Closing cap, material: PA, color: red