

Cable gland - G-INS-M25-S68N-NNES-S - 1424527


Please be informed that the data shown in this PDF Document is generated from our Online Catalog. Please find the complete data in the user's documentation. Our General Terms of Use for Downloads are valid (<http://phoenixcontact.com/download>)



Cable gland, cable gland material: Nickel-plated brass, external cable diameter 10 mm ... 14 mm, shielding: no, connecting thread: M25 x 1.5, color: silver, with O-ring



Key Commercial Data

Packing unit	5 pc
Minimum order quantity	5 pc
GTIN	 4 055626 374321
GTIN	4055626374321
Weight per Piece (excluding packing)	48.580 g
Custom tariff number	74199990
Country of origin	Turkey

Technical data

Dimensions

Length	36 mm
Wrench size, union nut	24 mm
Wrench size, support	27 mm
Hexagon angular dimension	30 mm
Length of the connecting thread	8 mm
Feed-through hole diameter	25.1 mm ... 25.3 mm
External cable diameter	10 mm ... 14 mm
	10 mm ... 14 mm (for UL 514 B)

Ambient conditions

Degree of protection (IP)	IP69
	IP68 (5 bar, 30 min.)
	IP66
Ambient temperature (operation)	-40 °C ... 100 °C (static)

Cable gland - G-INS-M25-S68N-NNES-S - 1424527

Technical data

General

No. of conductors	1
Cable gland material	Nickel-plated brass
Material, insert	Polyamide 6
Cable seal material	CR
Sealing material	Perbunan (O-ring)
Shielded	no
Thread type on connection side	M25 x 1.5
Torque	11 Nm ± (1 Nm)
Color	silver
Impact category	6
Execution of the strain relief	A
Assembly instructions	1) Mount screw connection support in the housing using the correct torque 2) Insert cable 3) Tighten union nut using the correct torque
Manufacturer	BIMED
Manufacturer Designation	BMBC-03

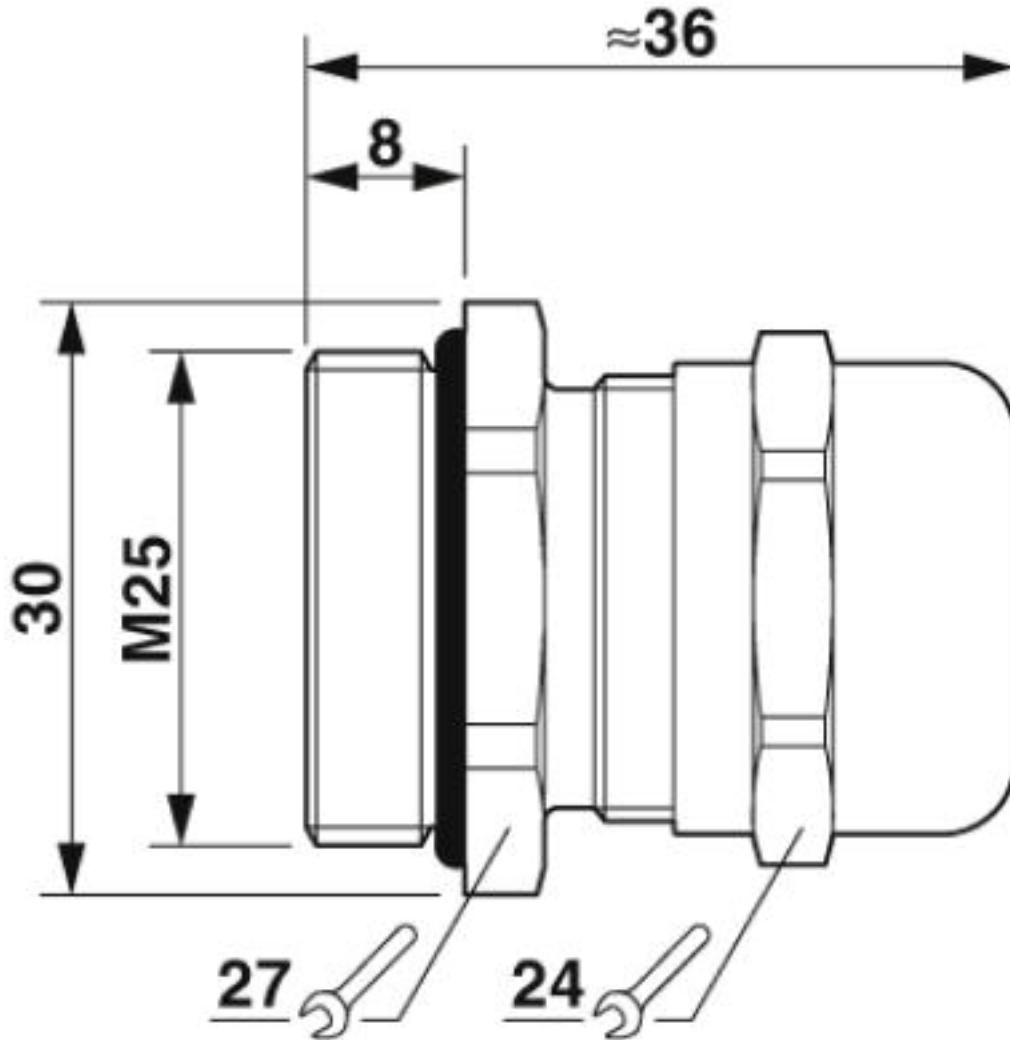
Environmental Product Compliance

REACH SVHC	Lead 7439-92-1
China RoHS	Environmentally Friendly Use Period = 50
	For details about hazardous substances go to tab "Downloads", Category "Manufacturer's declaration"

Drawings

Cable gland - G-INS-M25-S68N-NNES-S - 1424527

Dimensional drawing



Dimensional drawing

Classifications

eCl@ss

eCl@ss 4.0	27141200
eCl@ss 4.1	27141200
eCl@ss 5.0	27149100
eCl@ss 5.1	27149109
eCl@ss 6.0	27149100
eCl@ss 7.0	27149109
eCl@ss 8.0	27149109
eCl@ss 9.0	27144432

Cable gland - G-INS-M25-S68N-NNES-S - 1424527

Classifications

ETIM

ETIM 5.0	EC000441
ETIM 6.0	EC000441
ETIM 7.0	EC000441

Approvals

Approvals

Approvals

UL Listed / cUL Listed / cULus Listed

Ex Approvals

Approval details

UL Listed		http://database.ul.com/cgi-bin/XYV/template/LISEXT/1FRAME/index.htm	E199260
-----------	--	---	---------

cUL Listed		http://database.ul.com/cgi-bin/XYV/template/LISEXT/1FRAME/index.htm	E199260
------------	--	---	---------

cULus Listed			
--------------	--	--	--

Accessories

Accessories

Flat nut

Counter nut - A-INL-M25-N-S - 1411243



Counter nut, material: Brass, nickel-plated, for threads M25 x 1.5, color: silver

Sealing plugs

Cable gland - G-INS-M25-S68N-NNES-S - 1424527

Accessories

Closing cap - SEALING PLUG 12X22 RD - 1400260



Closing cap, material: PA, color: red