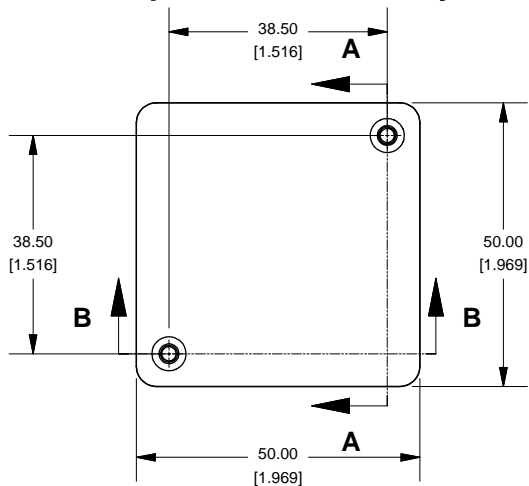
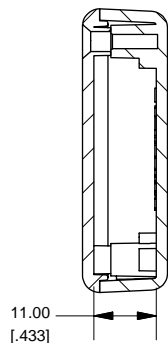


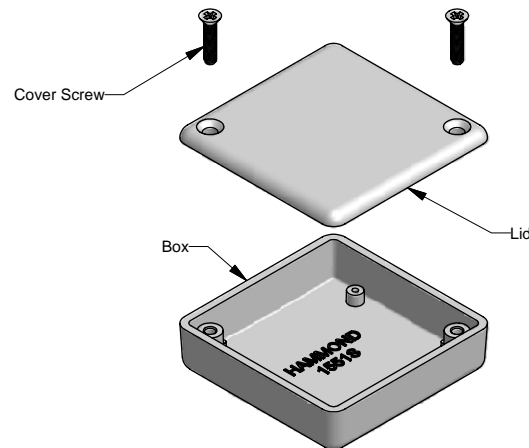
### Top View of Assembly



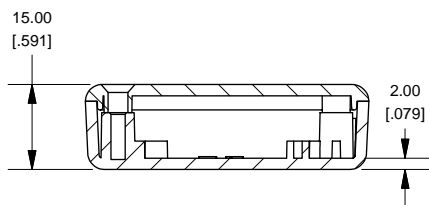
### SECTION A-A End View of Assembly



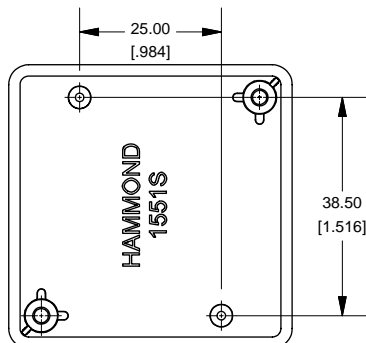
## 1551S (Basic)



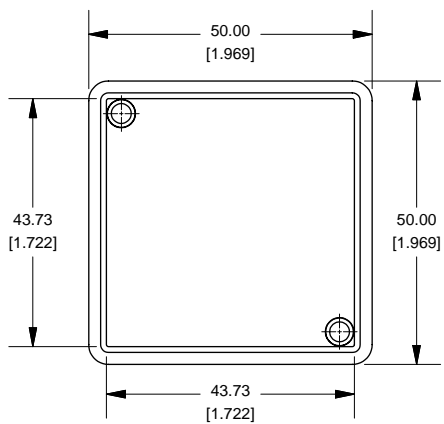
### SECTION B-B Side View of Assembly



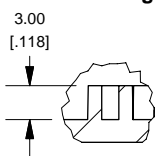
### Top View Looking Inside Box



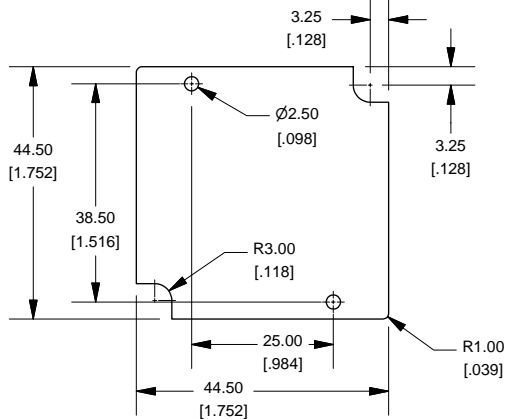
### Lid



### SECTION C-C Boss Heights



### Maximum P.C. Board Size



**NOTE**  
Purchased assembly includes lid and box made from GP ABS material and cover screws.

1551S	
1551S Enclosure	
Black Enclosure - RAL 7011	1551SBK
Gray Enclosure - RAL 7035	1551SGY
ACCESSORIES	
Black Enclosure Cover Screws (Pkg 100) [#4 X 1/2" Self Tapping]	1591TS100BK
Gray Enclosure Cover Screws (Pkg 100) [#4 X 1/2" Self Tapping]	1591TS100
P.C. Board Screws [#2 X 3/16" Self-Tapping]	1551ATS100 (Pkg 100)

