

10W Interchangeable Wall Plug USB Adapter **multicomp** PRO

5V DC, 2A

RoHS
Compliant

Features

- Interchangeable AC Heads
- Level VI Efficiency
- Worldwide Approvals

Description

Our range of 10 Watt Interchangeable wall plug power supplies provide 10 Watts of continuous power with the flexibility of worldwide usage as they are supplied with UK, Euro, USA & Auz AC Heads , all Efficiency Level VI and carry worldwide safety approvals.

Specifications

Input Voltage Range	90 V AC to 264 V AC
Input Frequency Range	47Hz to 63Hz
Input Current Rated	0.3A Max
Input AC Heads	UK, Euro, USA & Auz
Output Voltage Rating	+5V
Output Current Range	2A
Output Min Current	0.A
Output Connection Type	USB Outlet
Total Output Regulation	±5%
Line and Load Regulation	±5%
Ripple & Noise	300mVp-p
Efficiency	79% Min
Over Voltage Protection	10V DC Maximum with Zener Clamp
Over Load Protection	4A Maximum with Auto-Recovery Function
Operating Temperature	0°C to +40°C
Storage Temperature	-20°C to +60°C
Operating Humidity	20% to 85%
Storage Humidity	5% to 95%
Hi-Pot	3000V AC 10mA 1min
Leakage Current	0.25mA max
Safety Standard	UL/CUL, TUV-GS, SAA, CCC
EMI Standard	FCC, CE, RMC
MTBF	50K Hours
Size Max.	61.9mm (L) × 39mm (W) × 32.4mm (H)
Weight	53 g

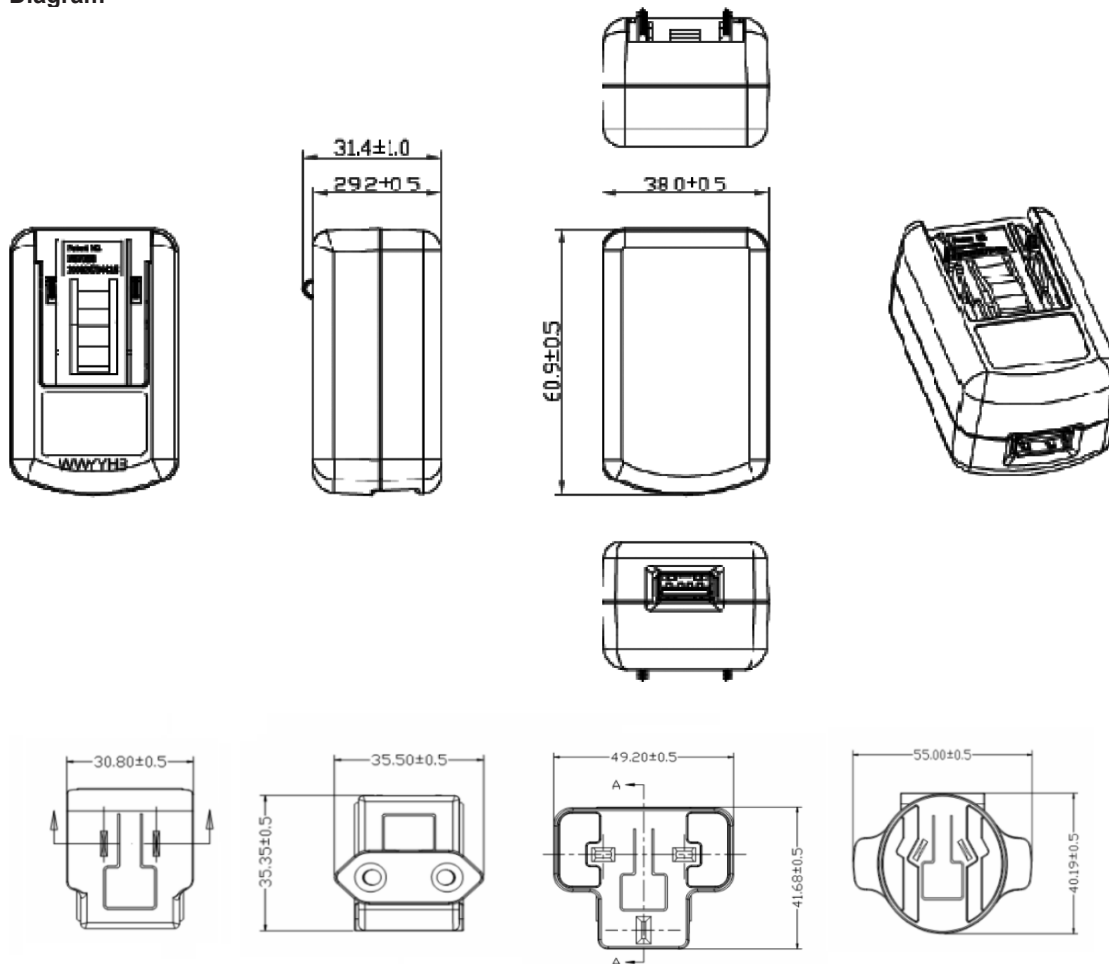
Newark.com/multicomp-pro
Farnell.com/multicomp-pro
Element14.com/multicomp-pro

multicomp PRO

10W Interchangeable Wall Plug USB Adapter 5V DC, 2A

multicomp PRO

Diagram



Dimensions : Millimetres

Part Number Table

Description	Part Number
Wall Plug USB Adapter, 10W, 5V DC, 2A	MP001978

Important Notice : This data sheet and its contents (the "Information") belong to the members of the AVNET group of companies (the "Group") or are licensed to it. No licence is granted for the use of it other than for information purposes in connection with the products to which it relates. No licence of any intellectual property rights is granted. The Information is subject to change without notice and replaces all data sheets previously supplied. The Information supplied is believed to be accurate but the Group assumes no responsibility for its accuracy or completeness, any error in or omission from it or for any use made of it. Users of this data sheet should check for themselves the Information and the suitability of the products for their purpose and not make any assumptions based on information included or omitted. Liability for loss or damage resulting from any reliance on the Information or use of it (including liability resulting from negligence or where the Group was aware of the possibility of such loss or damage arising) is excluded. This will not operate to limit or restrict the Group's liability for death or personal injury resulting from its negligence. Multicomp Pro is the registered trademark of Premier Farnell Limited 2019.

Newark.com/multicomp-pro
Farnell.com/multicomp-pro
Element14.com/multicomp-pro

multicomp PRO