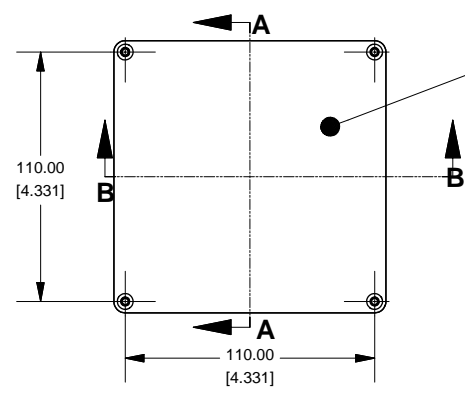
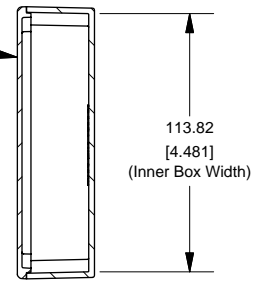


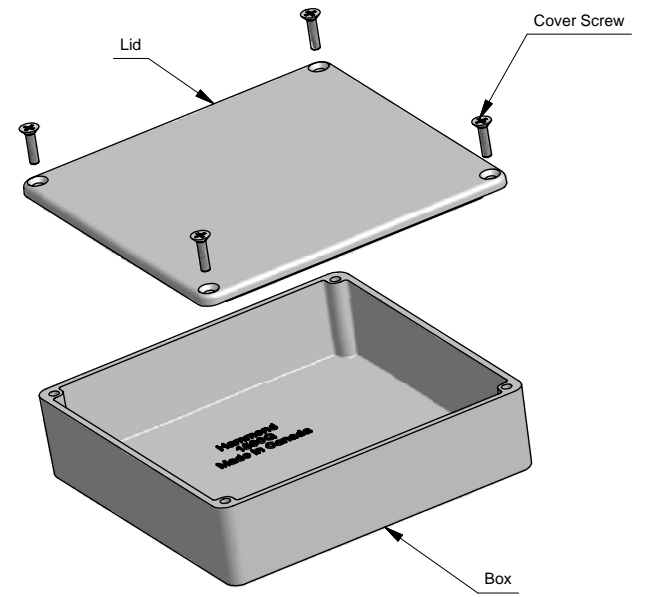
Top View of Assembly



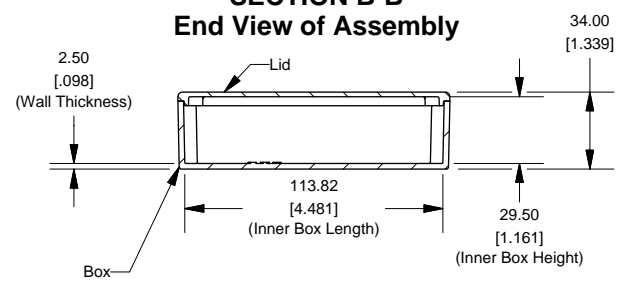
SECTION A-A Side View of Assembly



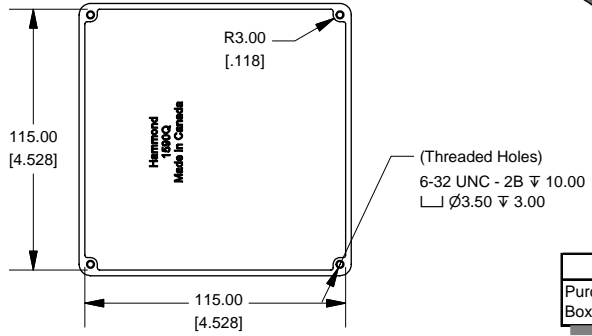
# 1590Q



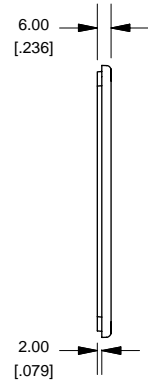
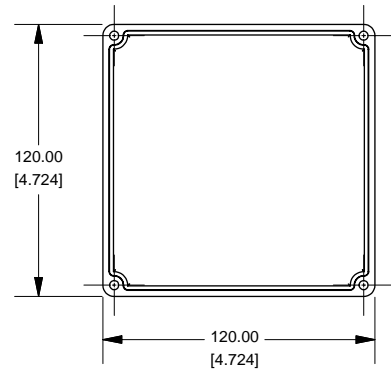
SECTION B-B End View of Assembly



Top View Looking Inside Box



Lid



**NOTE**  
Purchased assembly includes box, lid and 4 cover screws.  
Box and lid are made from Diecast Aluminum Alloy (alloy type 360.1).

PART NUMBERS	
1590Q Enclosure	
Unfinished	1590Q
Black Textured Powder Paint	1590QBK
1590Q Liquid Resistant Enclosure (Silicon Factory Installed Gasket)	
Unfinished	1590WQ
Black Textured Powder Paint	1590WQBK
ACCESSORIES	
Unfinished	
Cover Screws (Pkg 100)	
[6-32 x 1/2" Nickel Plated Screws]	1590MS100
Black Textured Powder Paint	
Cover Screws (Pkg 50)	
[6-32 x 1/2" Stainless Steel Black Screws]	1590MS50BK



www.hammondmfg.com