

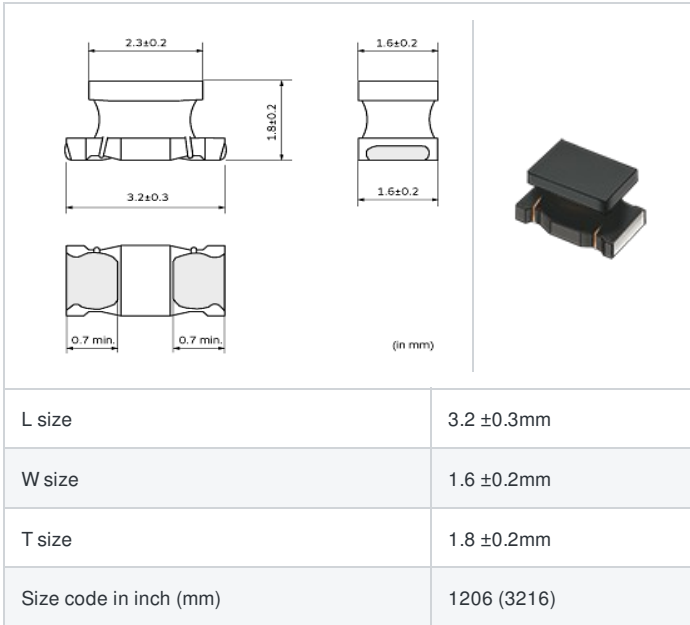
LQH31HNR61J03#

"#" indicates a package specification code.



< List of part numbers with package codes >
 LQH31HNR61J03L , LQH31HNR61J03K

Shape



References

Packaging code	Specifications	Minimum quantity
L	φ180mm Embossed taping	2000
K	φ330mm Embossed taping	7500

Mass (Typ.)	
1 piece	0.029g

Specifications

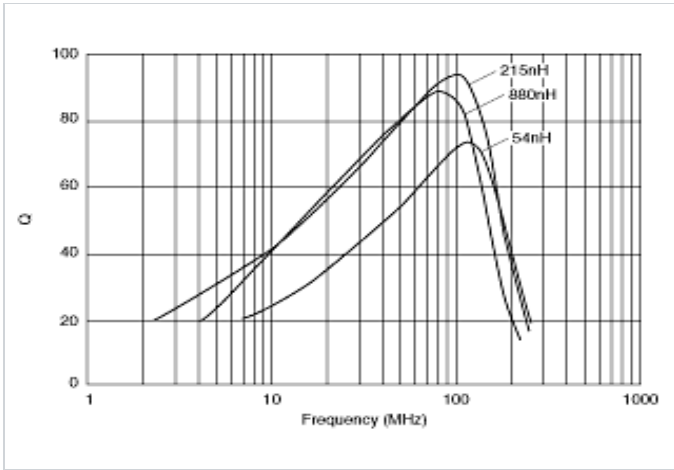
Inductance	610nH ±5%
Inductance test frequency	1MHz
Rated current (Itemp) (Based on Temperature rise)	250mA
Max. of DC resistance	0.624Ω
Avg. of DC resistance	0.48Ω ±30%
Q (min.)	60
Q test frequency	100MHz
Self resonance frequency (min.)	240MHz
Operating temperature range (Self-temperature rise is not included)	-40°C to 85°C
Series	LQH31HN_03

⚠ Attention

- 1.This datasheet is downloaded from the website of Murata Manufacturing Co., Ltd. Therefore, it's specifications are subject to change or our products in it may be discontinued without advance notice. Please check with our sales representatives or product engineers before ordering.
- 2.This datasheet has only typical specifications because there is no space for detailed specifications. Therefore, please review our product specifications or consult the approval sheet for product specifications before ordering.

Chart of characteristic data (The charts below may show another part number which shares its characteristics.)

▪ Q-Frequency characteristics (Typ.)



⚠ Attention

- 1.This datasheet is downloaded from the website of Murata Manufacturing Co., Ltd. Therefore, it's specifications are subject to change or our products in it may be discontinued without advance notice. Please check with our sales representatives or product engineers before ordering.
- 2.This datasheet has only typical specifications because there is no space for detailed specifications.
Therefore, please review our product specifications or consult the approval sheet for product specifications before ordering.