

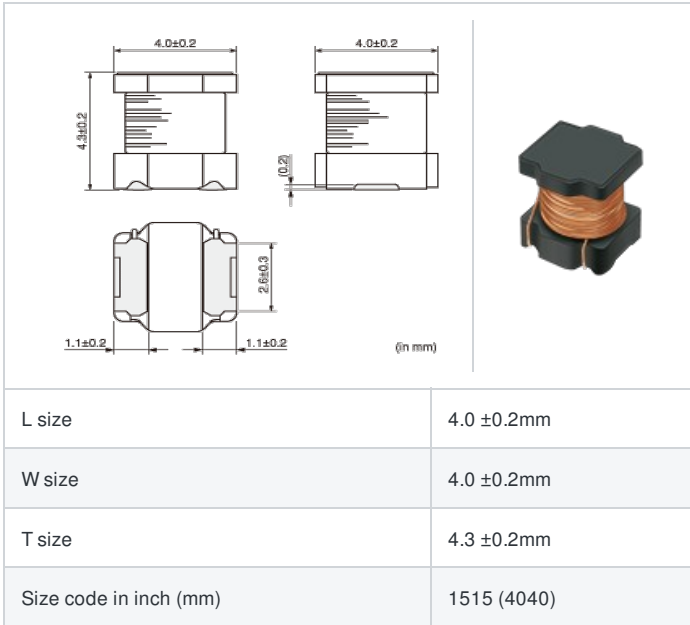
# LQH44NN680K03#

"#" indicates a package specification code.



< List of part numbers with package codes >  
 LQH44NN680K03L , LQH44NN680K03K

## Shape



## Notes

When rated current is applied to the products, inductance will be within ±30% of initial inductance value.

When rated current is applied to the products, the temperature rise caused by self-generated heat shall be limited to 40 °C max.

## References

Packaging code	Specifications	Minimum quantity
L	φ180mm Embossed taping	250
K	φ330mm Embossed taping	1500

Mass (Typ.)	
1 piece	0.26g

## Specifications

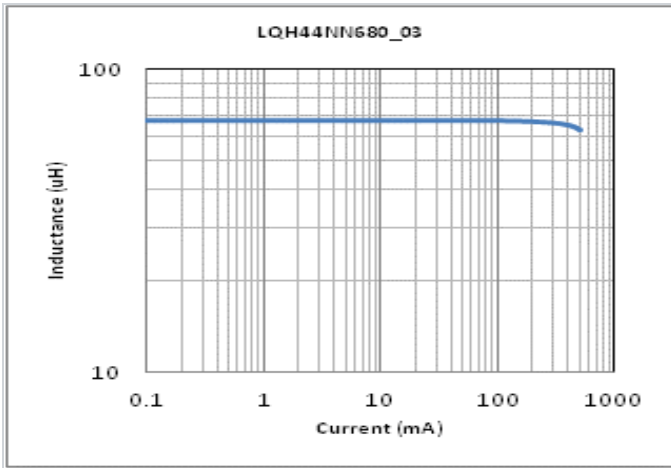
Inductance	68μH ±10%
Inductance test frequency	1kHz
Rated current (Itemp) (Based on Temperature rise)	0.53A
Max. of DC resistance	0.533Ω
Avg. of DC resistance	0.410Ω±30%
Self resonance frequency (min.)	8.0MHz
Operating temperature range (Self-temperature rise is included)	-40°C to 125°C
Operating temperature range (Self-temperature rise is not included)	-40°C to 85°C
Class of magnetic shield	No Shield
Series	LQH44NN_03

### Attention

- This datasheet is downloaded from the website of Murata Manufacturing Co., Ltd. Therefore, it's specifications are subject to change or our products in it may be discontinued without advance notice. Please check with our sales representatives or product engineers before ordering.
- This datasheet has only typical specifications because there is no space for detailed specifications. Therefore, please review our product specifications or consult the approval sheet for product specifications before ordering.

**Chart of characteristic data (The charts below may show another part number which shares its characteristics.)**

▪ Inductance-Current characteristics (Typ.)



**⚠ Attention**

- 1.This datasheet is downloaded from the website of Murata Manufacturing Co., Ltd. Therefore, it's specifications are subject to change or our products in it may be discontinued without advance notice. Please check with our sales representatives or product engineers before ordering.
- 2.This datasheet has only typical specifications because there is no space for detailed specifications.  
Therefore, please review our product specifications or consult the approval sheet for product specifications before ordering.