

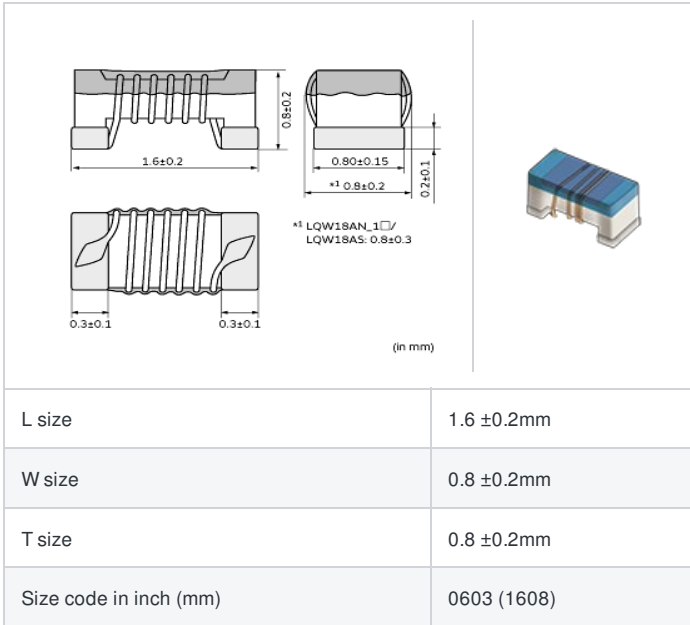
# LQW18AN43NG00#

# indicates a package specification code.



< List of part numbers with package codes >  
 LQW18AN43NG00D , LQW18AN43NG00J , LQW18AN43NG00B

## Shape



## References

Packaging code	Specifications	Minimum quantity
D	φ180mm Paper taping	4000
J	φ330mm Paper taping	10000
B	Packing in bulk	500

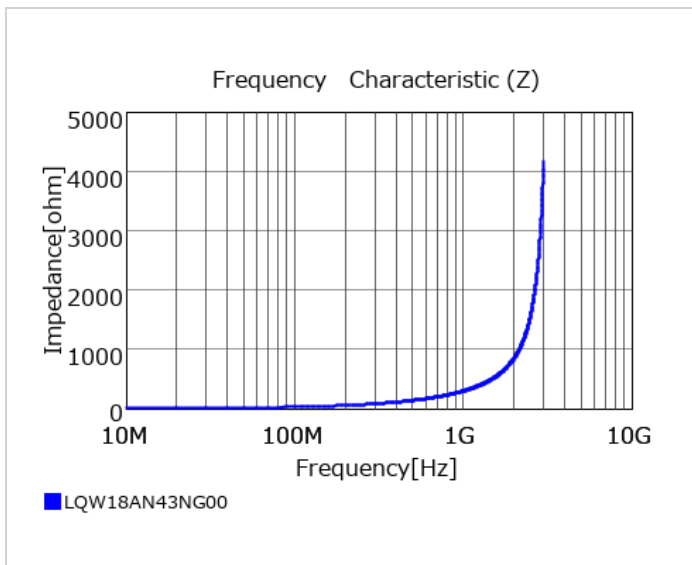
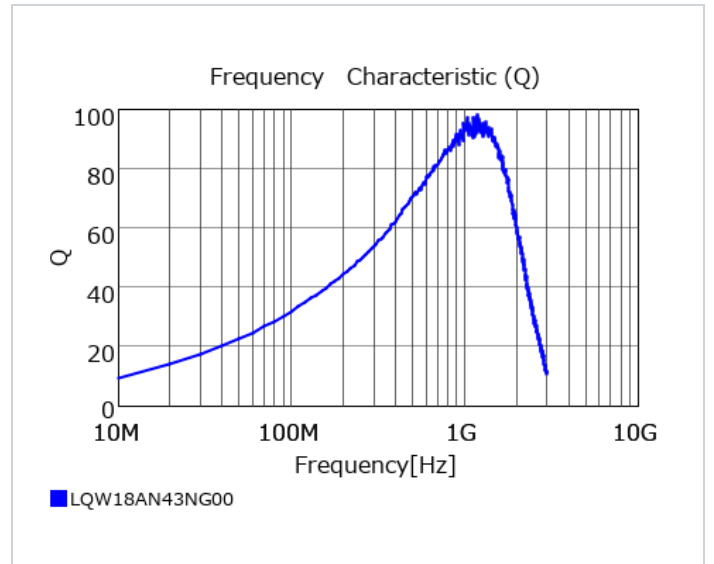
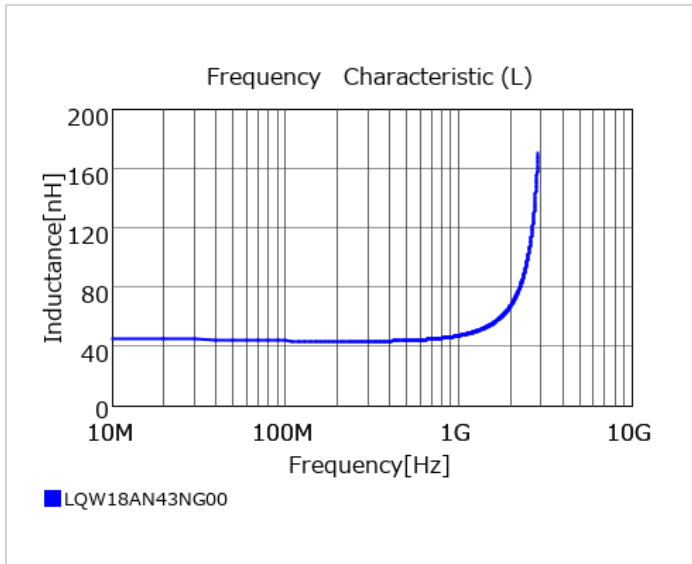
Mass (Typ.)	
1 piece	0.003g

## Specifications

Inductance	43nH ±2%
Inductance test frequency	100MHz
Rated current (Itemp) (Based on Temperature rise)	380mA
Max. of DC resistance	0.29Ω
Q (min.)	40
Q test frequency	200MHz
Self resonance frequency (min.)	2700MHz
Operating temperature range (Self-temperature rise is not included)	-55°C to 125°C
Series	LQW18AN_00

### Attention

- 1.This datasheet is downloaded from the website of Murata Manufacturing Co., Ltd. Therefore, it's specifications are subject to change or our products in it may be discontinued without advance notice. Please check with our sales representatives or product engineers before ordering.
- 2.This datasheet has only typical specifications because there is no space for detailed specifications. Therefore, please review our product specifications or consult the approval sheet for product specifications before ordering.



**⚠ Attention**

- 1.This datasheet is downloaded from the website of Murata Manufacturing Co., Ltd. Therefore, it's specifications are subject to change or our products in it may be discontinued without advance notice. Please check with our sales representatives or product engineers before ordering.
- 2.This datasheet has only typical specifications because there is no space for detailed specifications. Therefore, please review our product specifications or consult the approval sheet for product specifications before ordering.