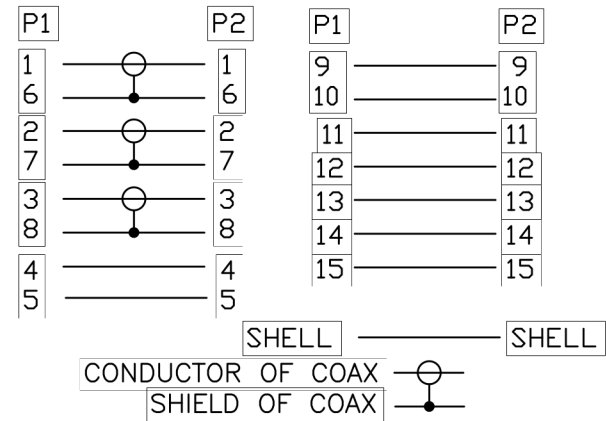


4

NOTE:

- 1.OPEN/SHORT/INTERMITTENCE:100%.
- 2.CONDUCTIVE RESISTANCE:2Ω (MAX)
- 3.RoHS & REACH Compliant

Pin OUT



| | | | | |
|-----|-----------|---|------|------|
| ⑥ | HEX SCREW | NUT-NICKEL PLATED#4-40 | 2 | PCS |
| ⑤ | MOLDED | 45P BLACK PVC | | G |
| ④ | MOLDED | LD-PE | | G |
| ③ | CONNECTOR | HDB15PIN FEMALE NICKEL PLATED + AFTER THE NUT | 1 | PCS |
| ② | CONNECTOR | HDB15PIN FEMALE NICKEL PLATED + BEFORE THE NUT | 1 | PCS |
| ① | CABLE | [(7/0.12BC)+FPE+(7/0.12BC)+AL+PVC]]*3+(7/0.12BC+PVC)*9+AL-FOIL+DRAIN WIRE(7/0.12BC)+BRAID(80/0.12ALM)+BLACK PVC,OD: 8.0±0.2MM | L | MM |
| NO. | MATERIAL | DESCRIPTION | QTY. | UNIT |

| | | | |
|----------------------|---------------------|---|--|
| Ltemref | Quantity | Title/Name,designation,material,dimension etc | Article No./Reference |
| Designed by ALVIN | Checked by HELEN | Approved by - date 10-09-2019 | File name Date 10-09-2019 Scale FREE |
| ANGLE: | | | VGA Panel Mount Female/Normal Female 0.5M |
| UNIT:MM | | | Edition 1 |