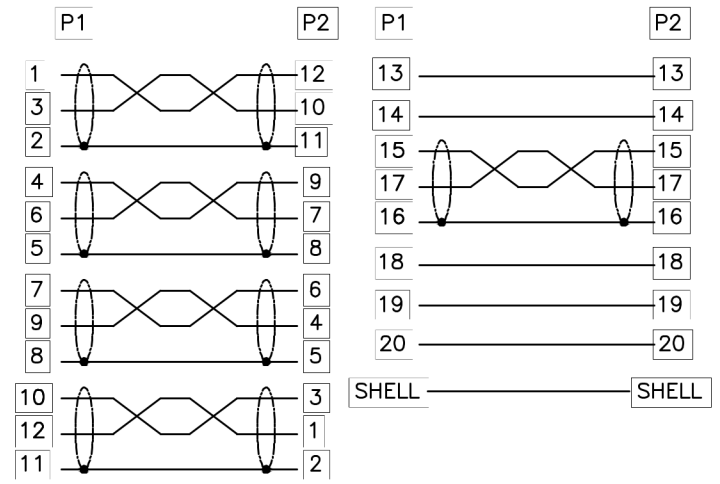


NOTE:

- 1.OPEN/SHORT/INTERMITTENCE:100%.
- 2.CONDUCTIVE RESISTANCE:3Ω (MAX)
- 3.RoHS & REACH Compliant
- 4.COMPUTER TEST:4K*2K@60Hz

Pin OUT



⑨	DUST CAP	DISPLAYPDR MALE LDPE	1	PCS
⑧	THUMB SCREW	NICKEL PLATED#4-40*15	2	PCS
⑦	THUMB NUT	NICKEL PLATED#4-40	2	PCS
⑥	OUTER COVER	DP MALE ABS ASSEMBLY TYPE	1	SET
⑤	MOLDED	45P BLACK PVC		G
④	MOLDED	LD-PE		G
③	CONNECTOR	DP MALE NICKEL PLATED	1	PCS
②	CONNECTOR	DP FEMALE NICKEL PLATED WITH BLACK RUBBER COVER	1	PCS
①	CABLE	(7/0.127TC*1P+7/0.127TC+FAM)*5+7/0.127TC*5C+AL+1/0.32BC+B(96/0.12ALM)+BLACK PVC OD:7.3±0.2MM	L	MM
NO.	MATERIAL	DESCRIPTION	QTY.	UNIT

Ltemref	Quantity	Title/Name,designation,material,dimension etc	Article No./Reference
Designed by ALVIN	Checked by HELEN	Approved by - date 10-09-2019	File name Date 10-09-2019 Scale FREE
ANGLE:			DP Panel Mount Female/Normal Male 1.0M
UNIT-MM			Edition 1